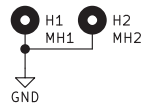
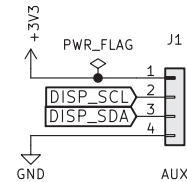
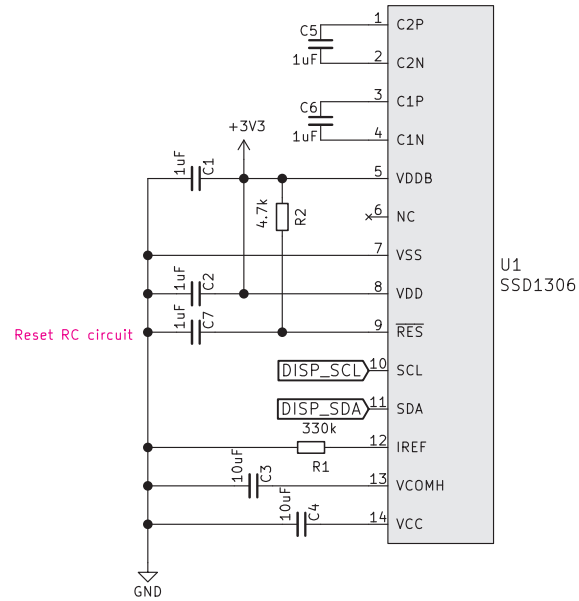


SSD1306 OLED
Circuit based on Adafruit 931



License: CERN-OHL-S 2.0		
Engineer: Lukas F. Hartmann		
https://mntre.com		
MNT Research GmbH		
Sheet: /		
File: reform2-oled.sch		
Title: MNT Reform 2 Keyboard OLED		
Size: A4	Date: 2020-09-08	Rev: 2.0R-1
KiCad E.D.A. kicad 5.1.8+dfsg1-1+b1		Id: 1/1