

License: CERN-OHL-S 2.0
 Engineer: Lukas F. Hartmann
<https://mntre.com>
MNT Research GmbH
 Sheet: /
 File: reform2-motherboard.sch

Title: MNT Reform 2

Size: A4	Date: 2021-01-26	Rev: 2.0R-2D
KiCad E.D.A. kicad 5.1.8+dfsg1-1+b1		Id: 1/12

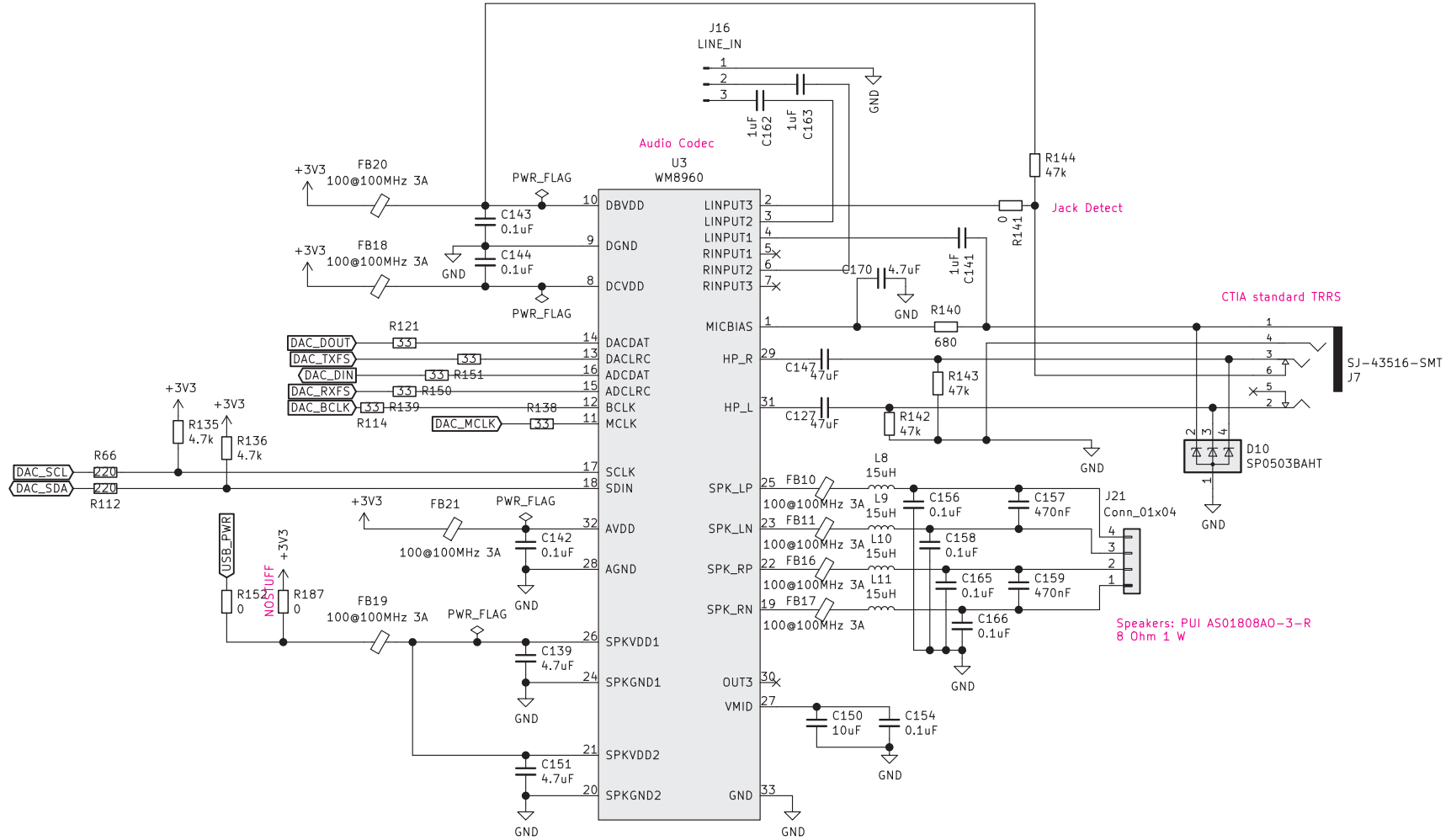
TE 1717254-1
 or TE 1473005-1

A

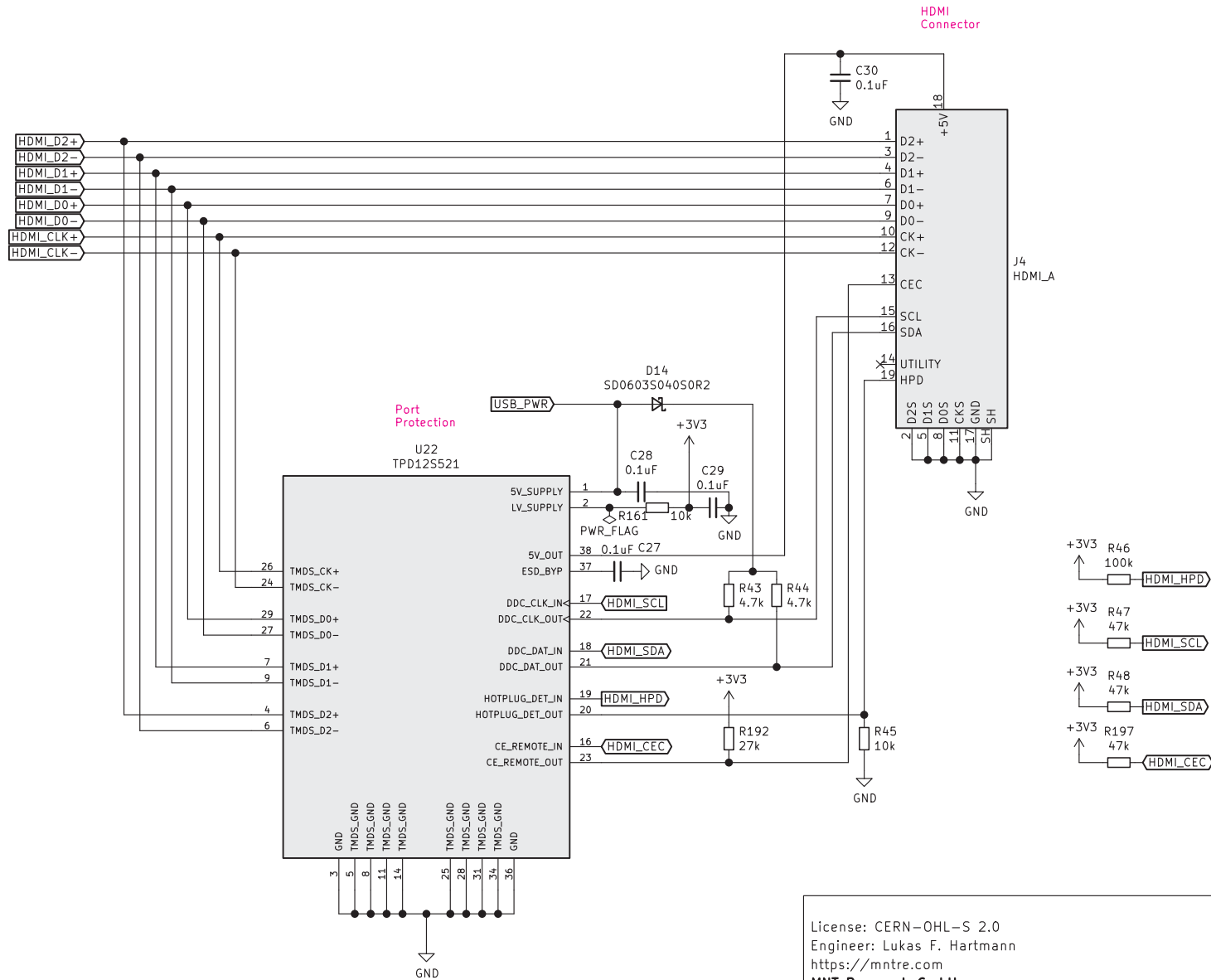
B

C

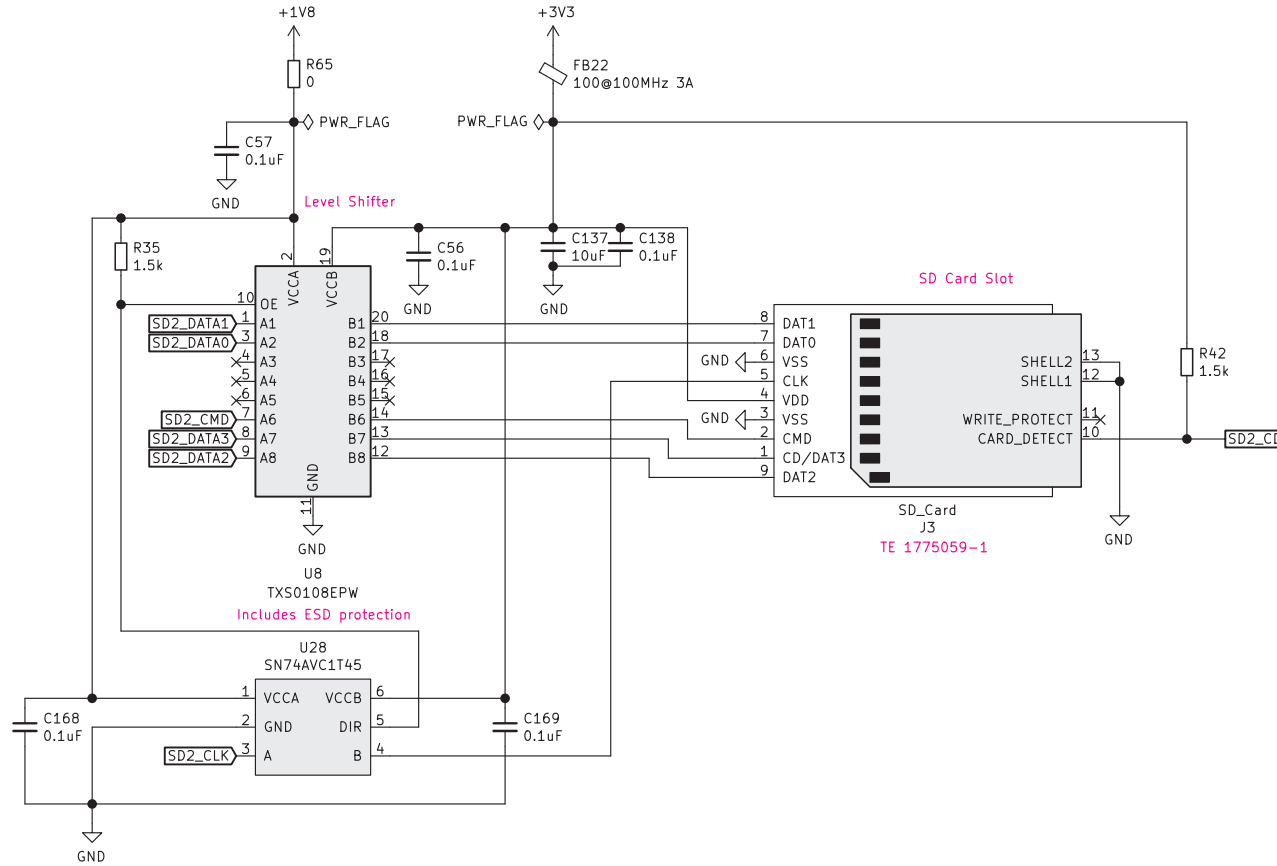
D



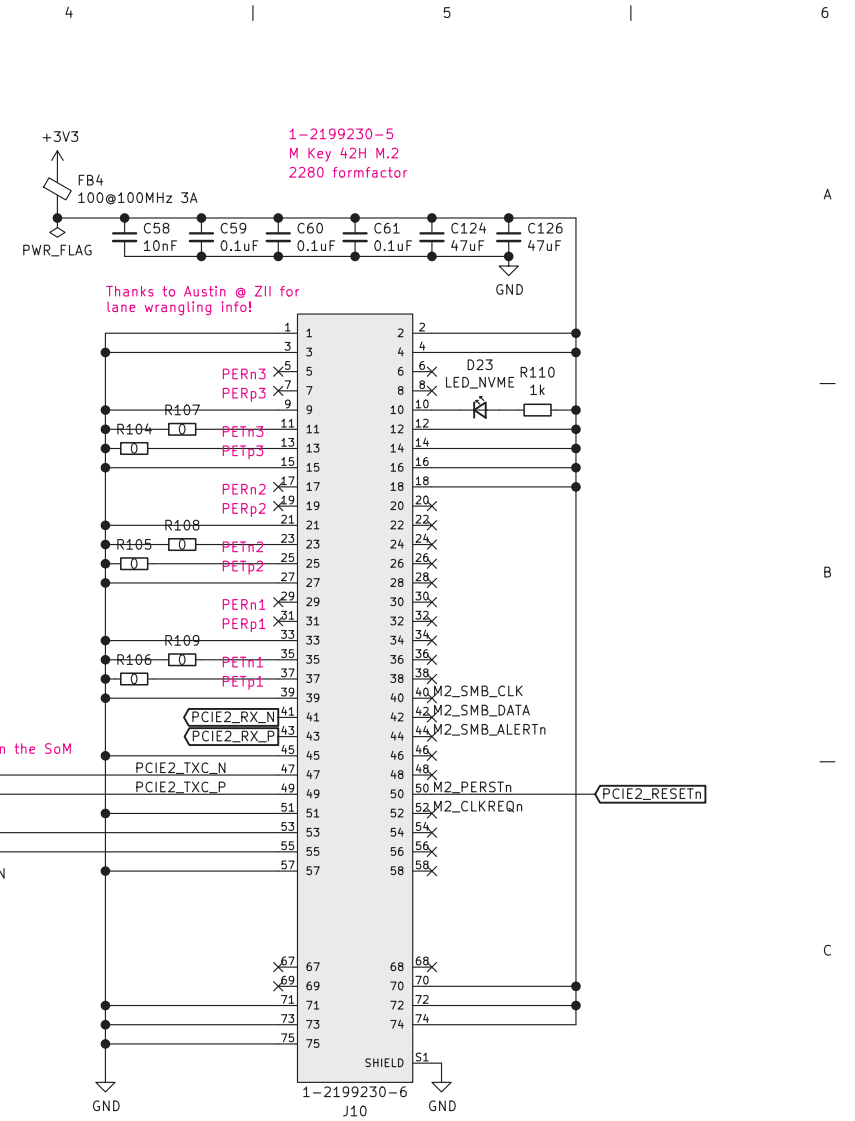
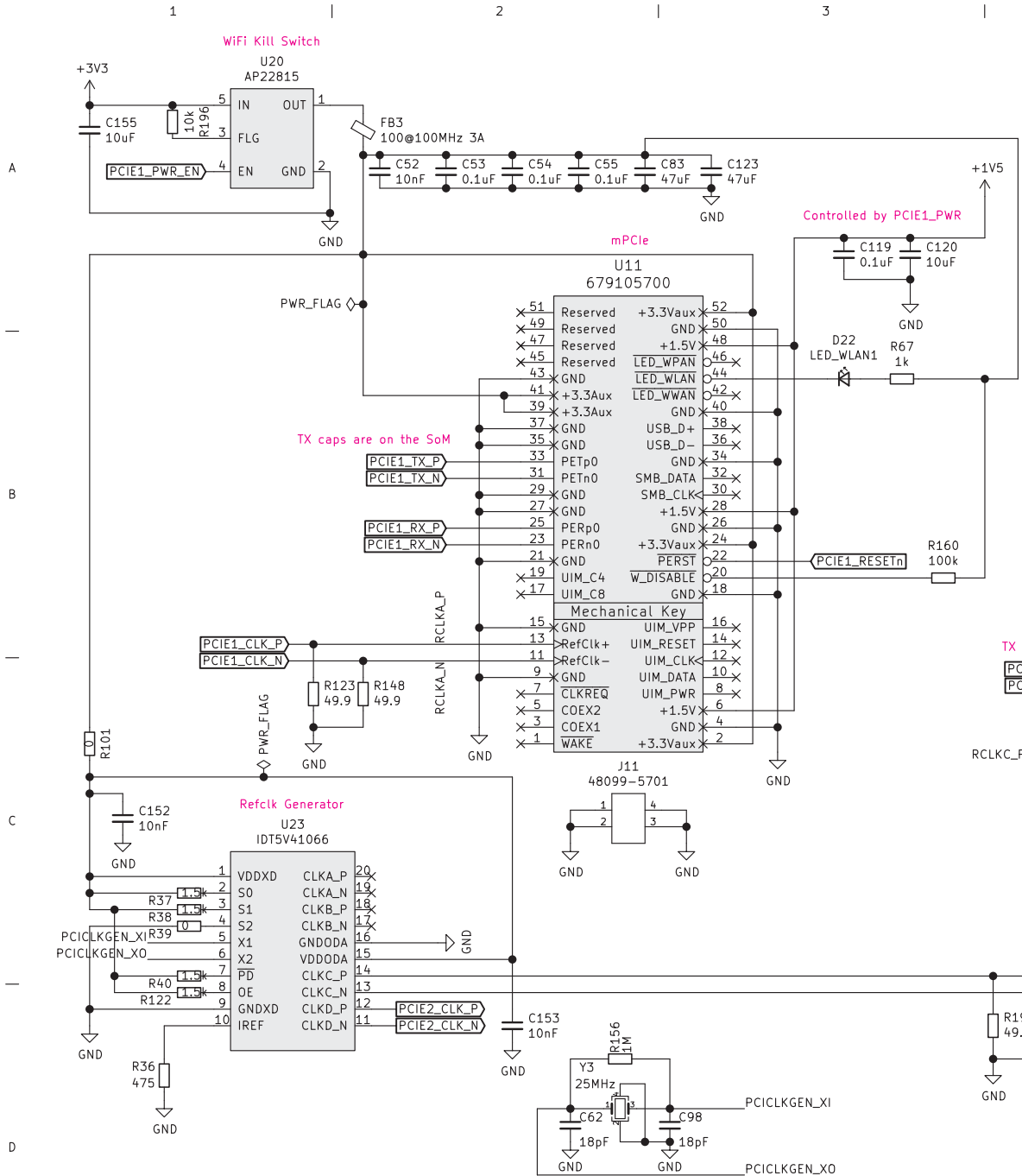
License: CERN-OHL-S 2.0	
Engineer: Lukas F. Hartmann	
https://mntre.com	
MNT Research GmbH	
Sheet: /Reform 2 Audio/	
File: reform2-audio.sch	
Title: Reform 2 Audio	
Size: A4	Date: 2021-01-26
KiCad E.D.A. kicad 5.1.8+dfsg1-1+b1	Rev: 2.0R-2D
	Id: 2/12



License: CERN-OHL-S 2.0	
Engineer: Lukas F. Hartmann	
https://mntre.com	
MNT Research GmbH	
Sheet: /Reform 2 HDMI/	
File: reform2-hdmi.sch	
Title: MNT Reform 2 External Display	
Size: A4	Date: 2021-01-26
KiCad E.D.A. kicad 5.1.8+dfsg1-1+b1	Rev: 2.0R-2D
	Id: 3/12



License: CERN-OHL-S 2.0	
Engineer: Lukas F. Hartmann	
https://mntre.com	
MNT Research GmbH	
Sheet: /Reform 2 SD Card/	
File: reform2-sd.sch	
Title: MNT Reform 2 SD Card	
Size: A4	Date: 2021-01-26
KiCad E.D.A. kicad 5.1.8+dfsg1-1+b1	Rev: 2.0R-2D
	Id: 4/12



License: CERN-OHL-S 2.0
 Engineer: Lukas F. Hartmann
<https://mntre.com>
MNT Research GmbH
 Sheet: /Reform 2 PCIe/
 File: reform2-pcie.sch

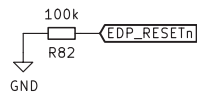
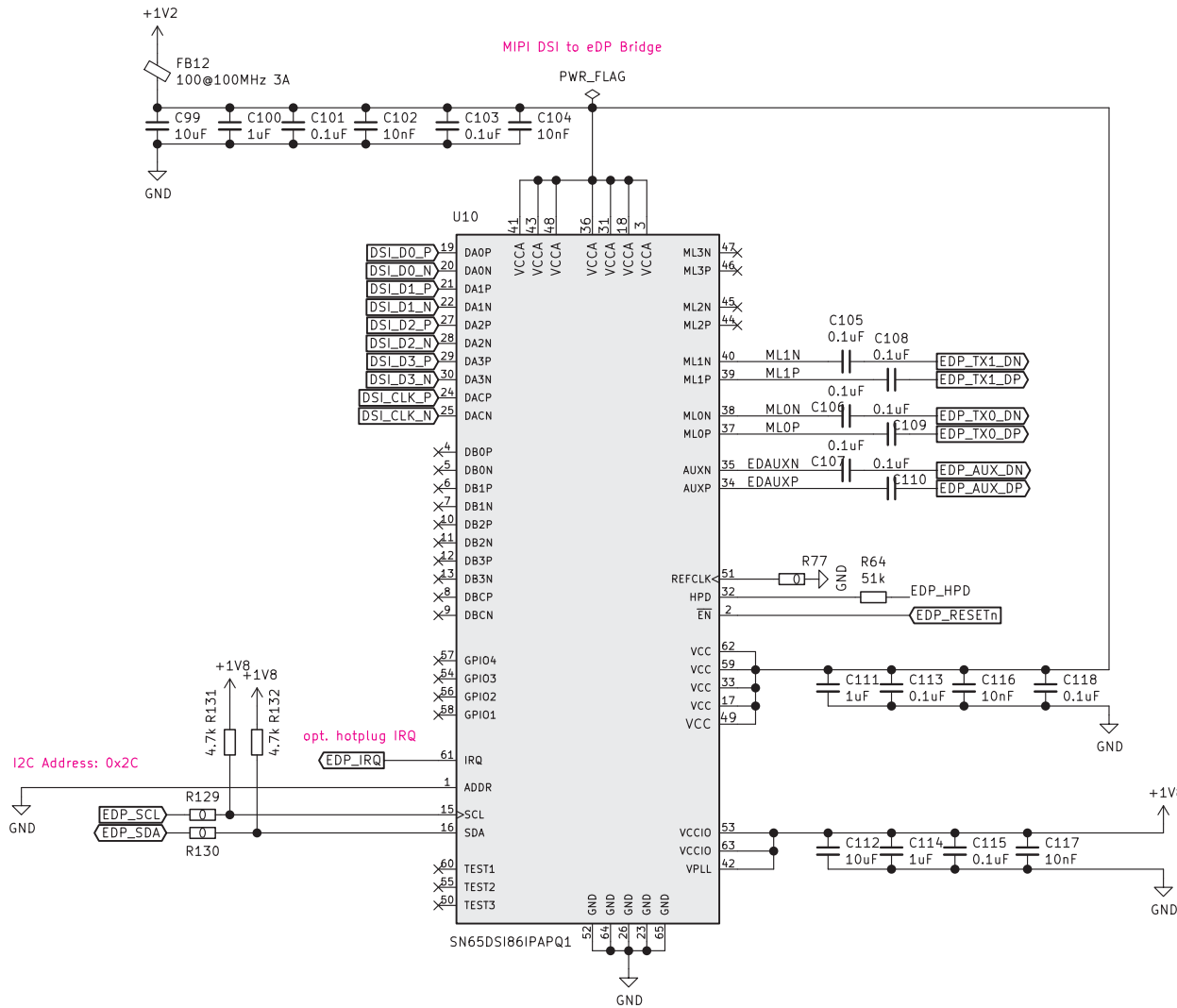
Title: MNT Reform 2 PCIe	
Size: A4	Date: 2021-01-26
KiCad E.D.A. kicad 5.1.8+dfsg1-1+b1	Rev: 2.0R-2D Id: 5/12

A

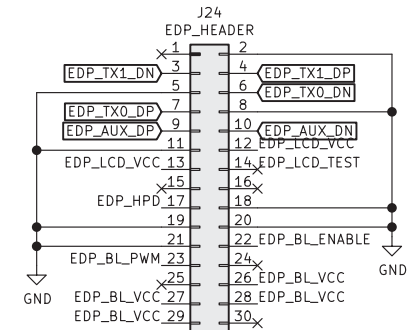
B

C

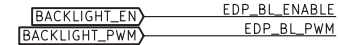
D



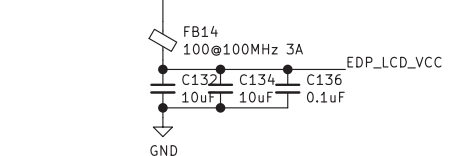
Display Connector



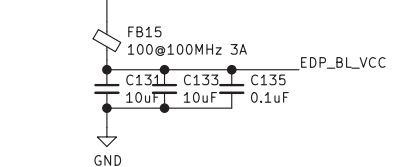
PWM period 10000



3V3_PWR_AUX



USB_PWR

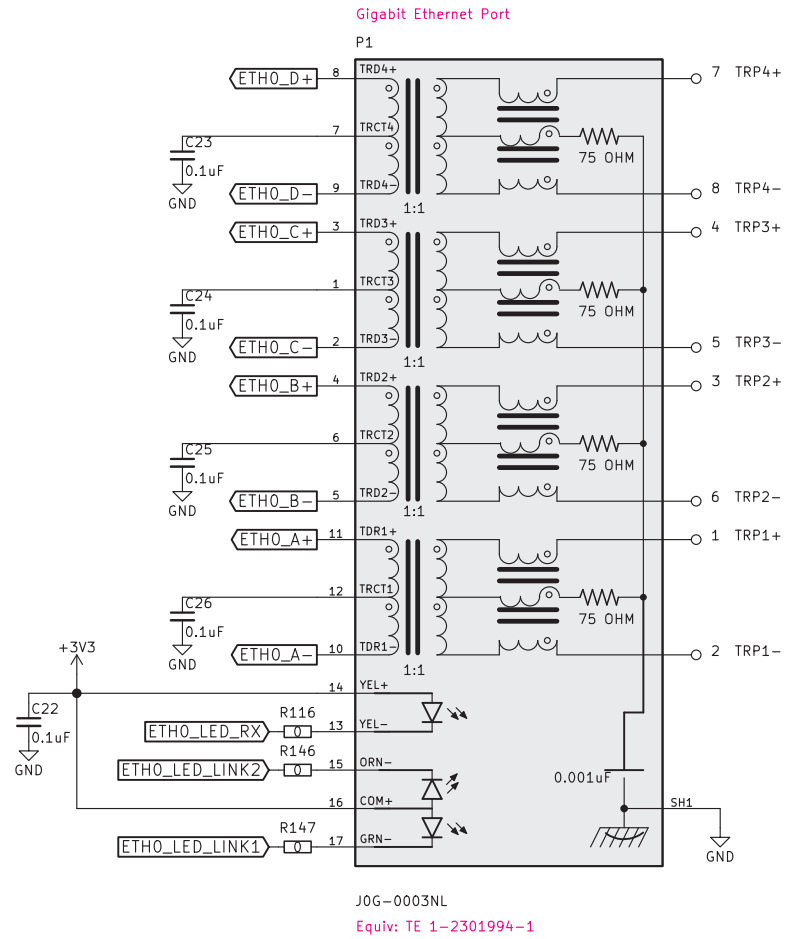


License: CERN-OHL-S 2.0
 Engineer: Lukas F. Hartmann
<https://mntre.com>

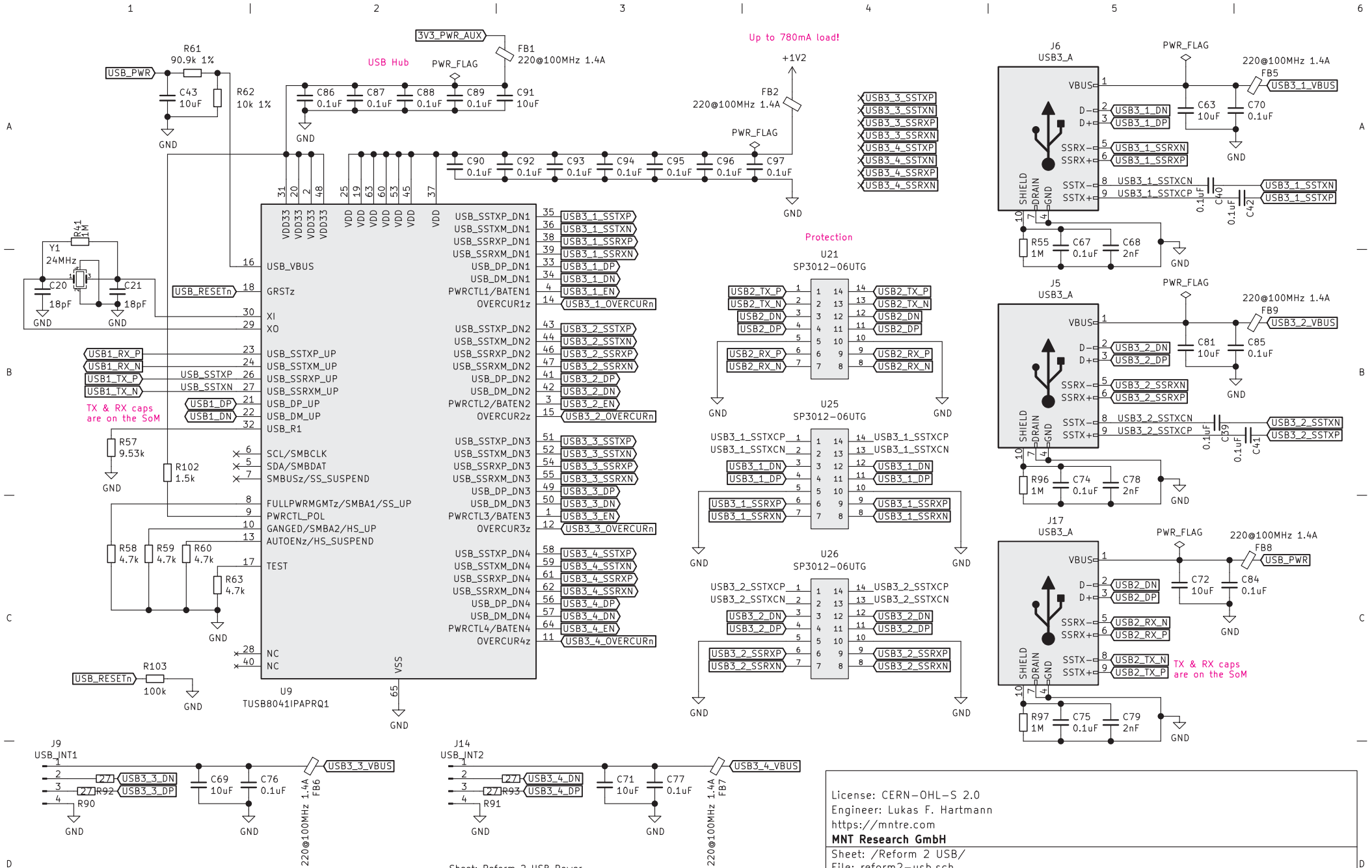
MNT Research GmbH
 Sheet: /Reform 2 Display/
 File: reform2-display.sch

Title: MNT Reform 2 Internal Display

Size: A4	Date: 2021-01-26	Rev: 2.0R-2D
KiCad E.D.A. kicad 5.1.8+dfsg1-1+b1		Id: 6/12



License: CERN-OHL-S 2.0	
Engineer: Lukas F. Hartmann	
https://mntre.com	
MNT Research GmbH	
Sheet: /Reform 2 Ethernet/	
File: reform2-eth.sch	
Title: MNT Reform 2 Ethernet	
Size: A4	Date: 2021-01-26
KiCad E.D.A. kicad 5.1.8+dfsg1-1+b1	Rev: 2.0R-2D
	Id: 7/12

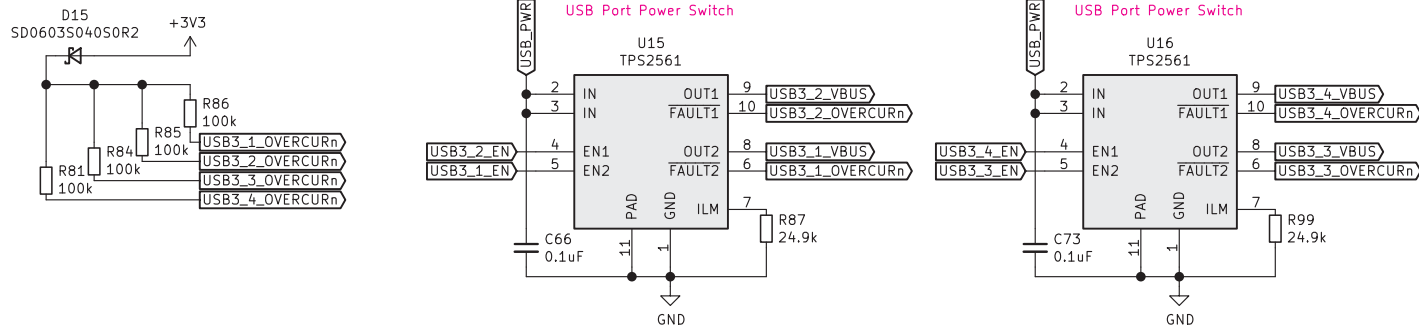
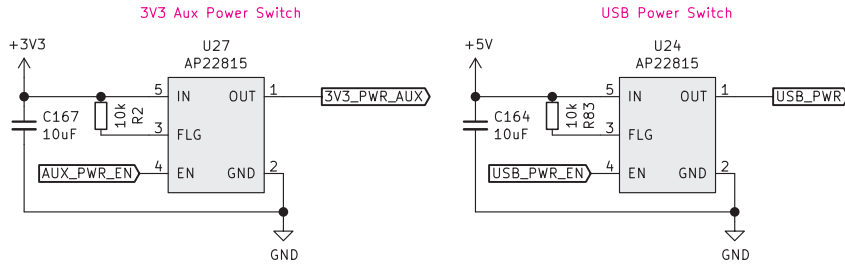


License: CERN-OHL-S 2.0
 Engineer: Lukas F. Hartmann
<https://mntre.com>
MNT Research GmbH
 Sheet: /Reform 2 USB/
 File: reform2-usb.sch

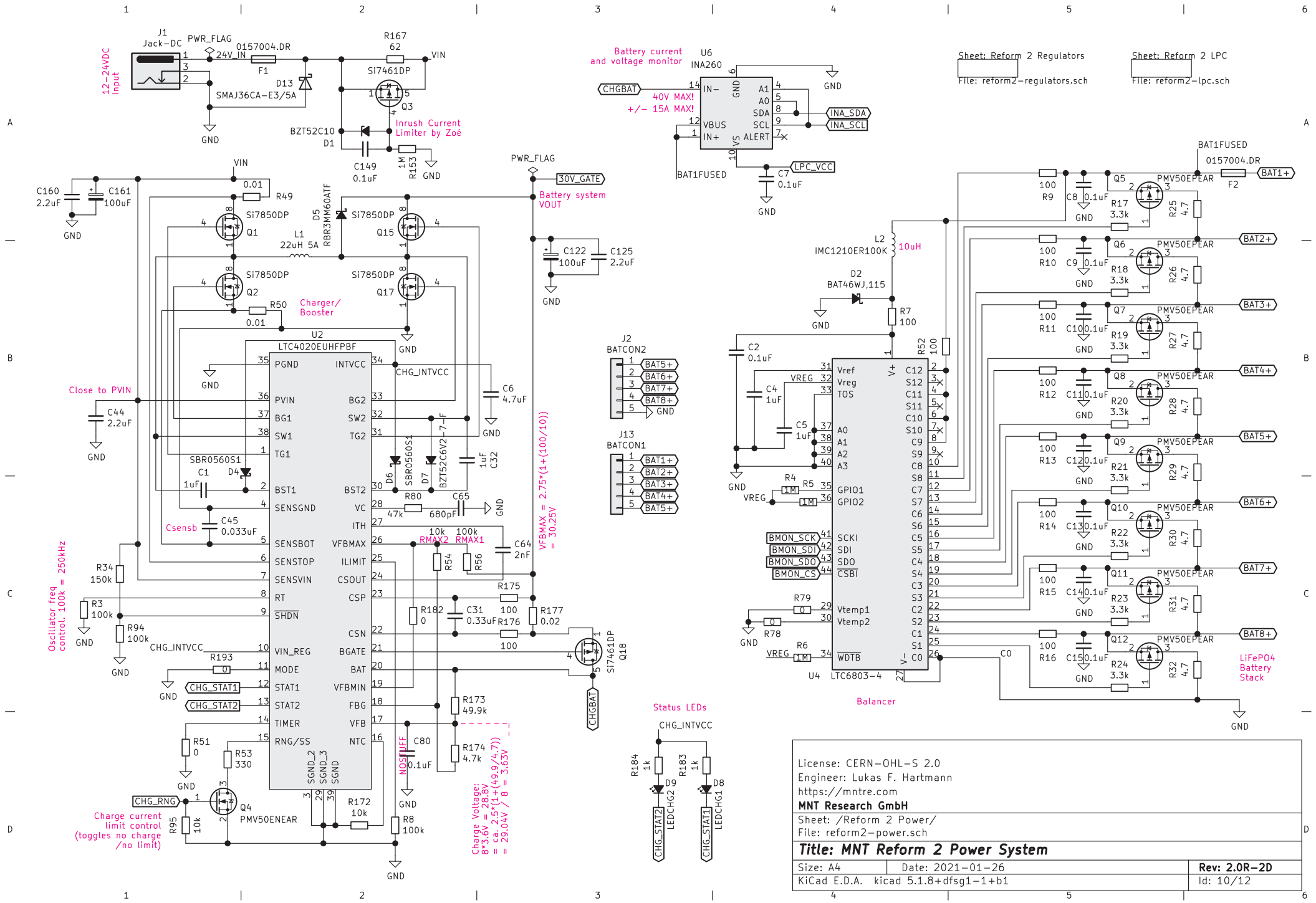
Title: MNT Reform 2 USB

Size: A4	Date: 2021-01-26
KiCad E.D.A. kicad 5.1.8+dfsg1-1+b1	Rev: 2.0R-2D
	Id: 8/12

Sheet: Reform 2 USB Power
 File: reform2-usbpwr.sch



License: CERN-OHL-S 2.0	
Engineer: Lukas F. Hartmann	
https://mntre.com	
MNT Research GmbH	
Sheet: /Reform 2 USB/Reform 2 USB Power/	
File: reform2-usbpwr.sch	
Title: Reform 2 USB Power	
Size: A4	Date: 2021-01-26
KiCad E.D.A. kicad 5.1.8+dfsg1-1+b1	Rev: 2.0R-2D
	Id: 9/12

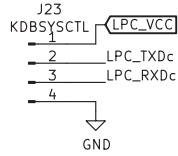


Sheet: Reform 2 Regulators
File: reform2-regulators.sch

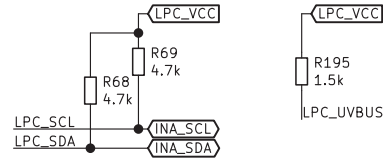
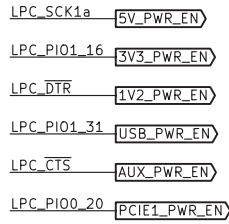
Sheet: Reform 2 LPC
File: reform2-lpc.sch

License: CERN-OHL-S 2.0	
Engineer: Lukas F. Hartmann	
https://mntre.com	
MNT Research GmbH	
Sheet: /Reform 2 Power/	
File: reform2-power.sch	
Title: MNT Reform 2 Power System	
Size: A4	Date: 2021-01-26
KiCad E.D.A. kicad 5.1.8+dfsg1-1+b1	Rev: 2.0R-2D
	Id: 10/12

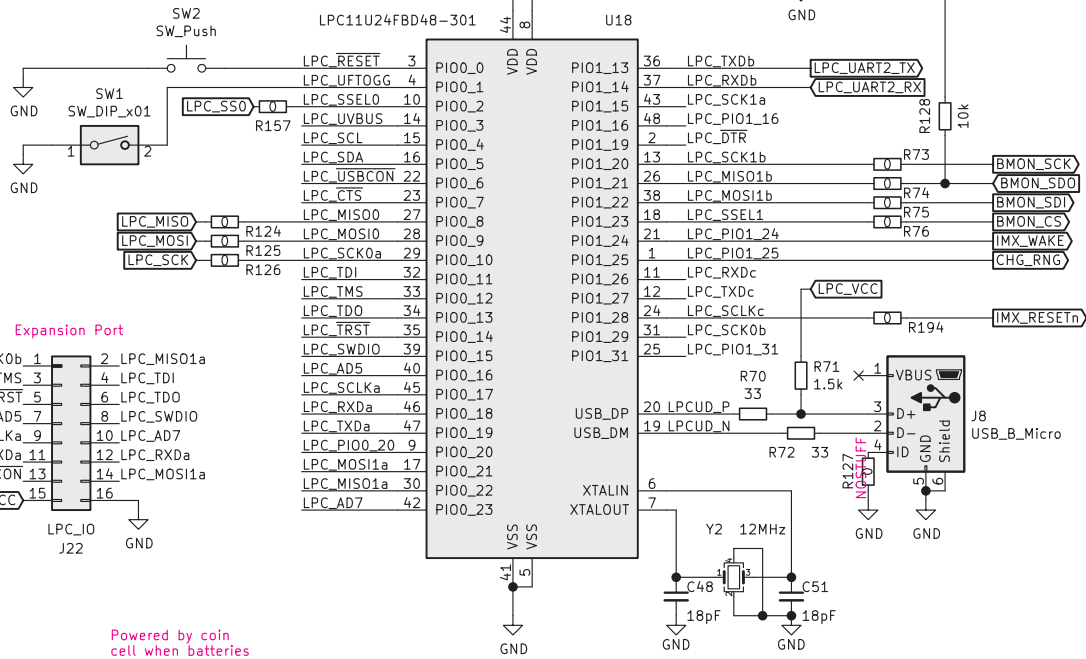
Keyboard System Control Port (SYSCTL)



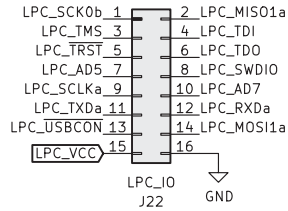
Power Switches



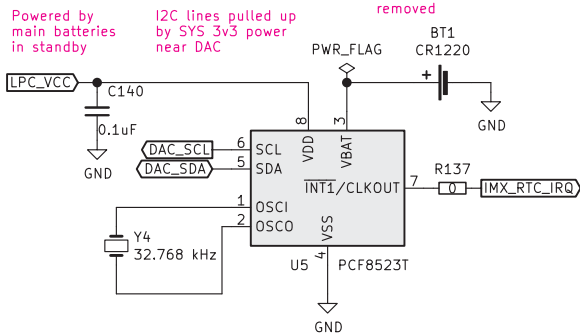
System Controller



Expansion Port



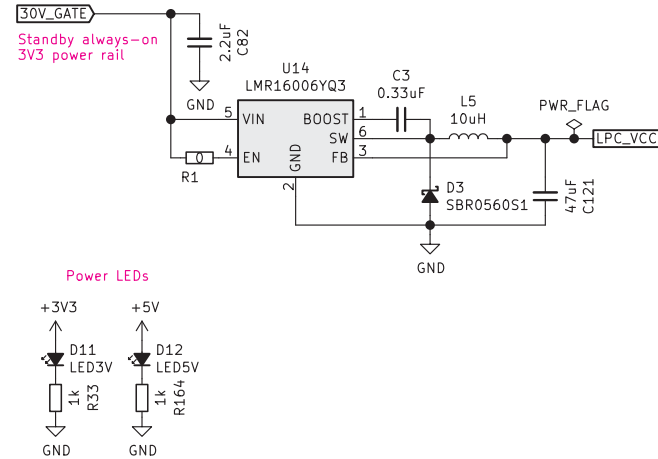
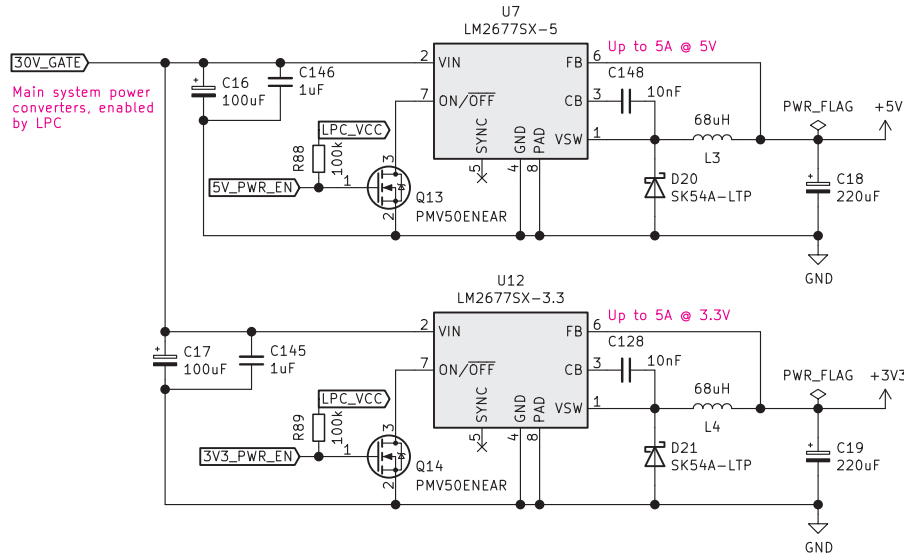
Realtime Clock



License: CERN-OHL-S 2.0	
Engineer: Lukas F. Hartmann	
https://mntre.com	
MNT Research GmbH	
Sheet: /Reform 2 Power/Reform 2 LPC/	
File: reform2-lpc.sch	
Title: Reform 2 LPC	
Size: A4	Date: 2021-01-26
KiCad E.D.A. kicad 5.1.8+dfsg1-1+b1	Rev: 2.0R-2D
	Id: 11/12

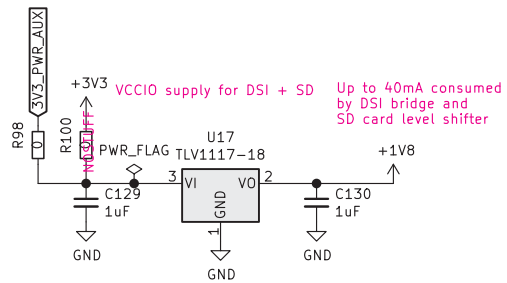
A

A



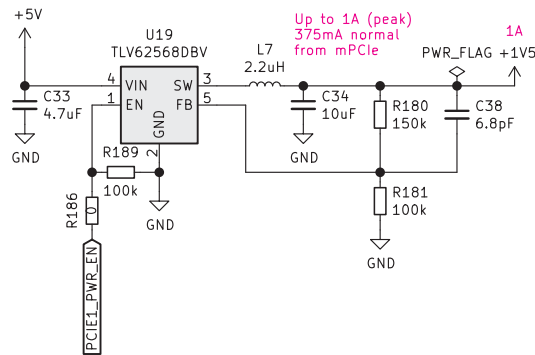
B

B



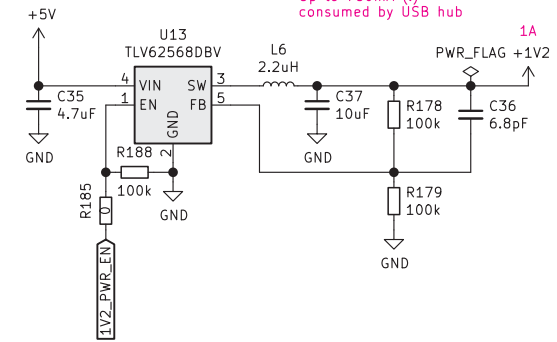
C

C



D

D



License: CERN-OHL-S 2.0

Engineer: Lukas F. Hartmann

https://mntre.com

MNT Research GmbH

Sheet: /Reform 2 Power/Reform 2 Regulators/

File: reform2-regulators.sch

Title: Reform 2 Regulators

Size: A4

Date: 2021-01-26

Rev: 2.0R-2D

KiCad E.D.A. kicad 5.1.8+dfsg1-1+b1

Id: 12/12