

MNT Reform Optical Trackball Module

Dear MNT Customer,

Thank you for purchasing the MNT Reform Optical Trackball Module. We hope you will enjoy it.

Assembly

Please refer to the MNT Reform Operator Handbook for instructions on how to mount and connect the Trackball Module in your laptop:

mntre.com/reform2/handbook/parts.html#trackball

Operation

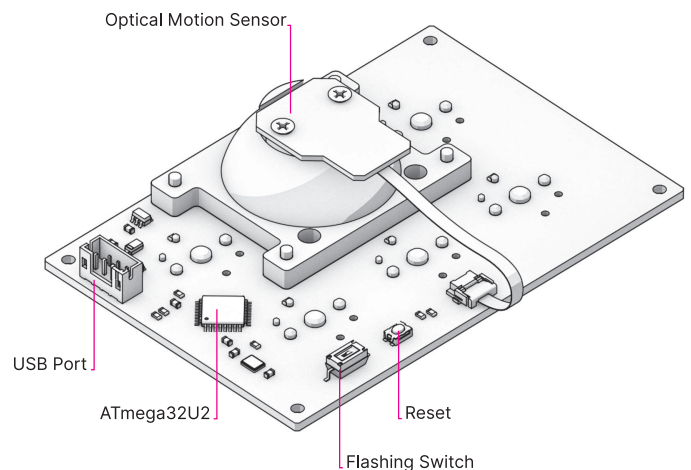
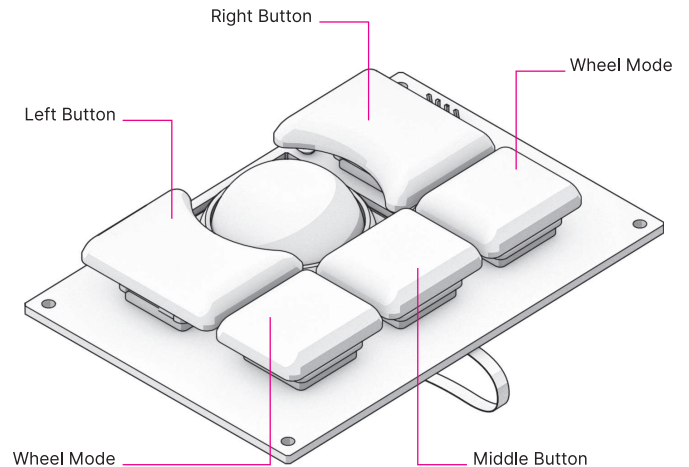
The trackball works like a three-button mouse. Rolling the ball will move the cursor in the same direction. In addition to the standard three mouse buttons (left, middle, right), the trackball also has two Wheel Mode buttons. Holding down either while moving the ball in any direction will scroll the currently focused content accordingly.

Maintenance

From time to time, you should clean dust and debris from the trackball. To do this, carefully lift off the left and right buttons. Then, unscrew the two screws holding the trackball's lid and remove the ball. Clean the inside of the cup with a soft cloth. Don't use detergents as these can dissolve the cup's material.

Warranty

MNT Research covers the warranty to the extent required by law for the unmodified product. Warranty does not cover any modifications made to the product.



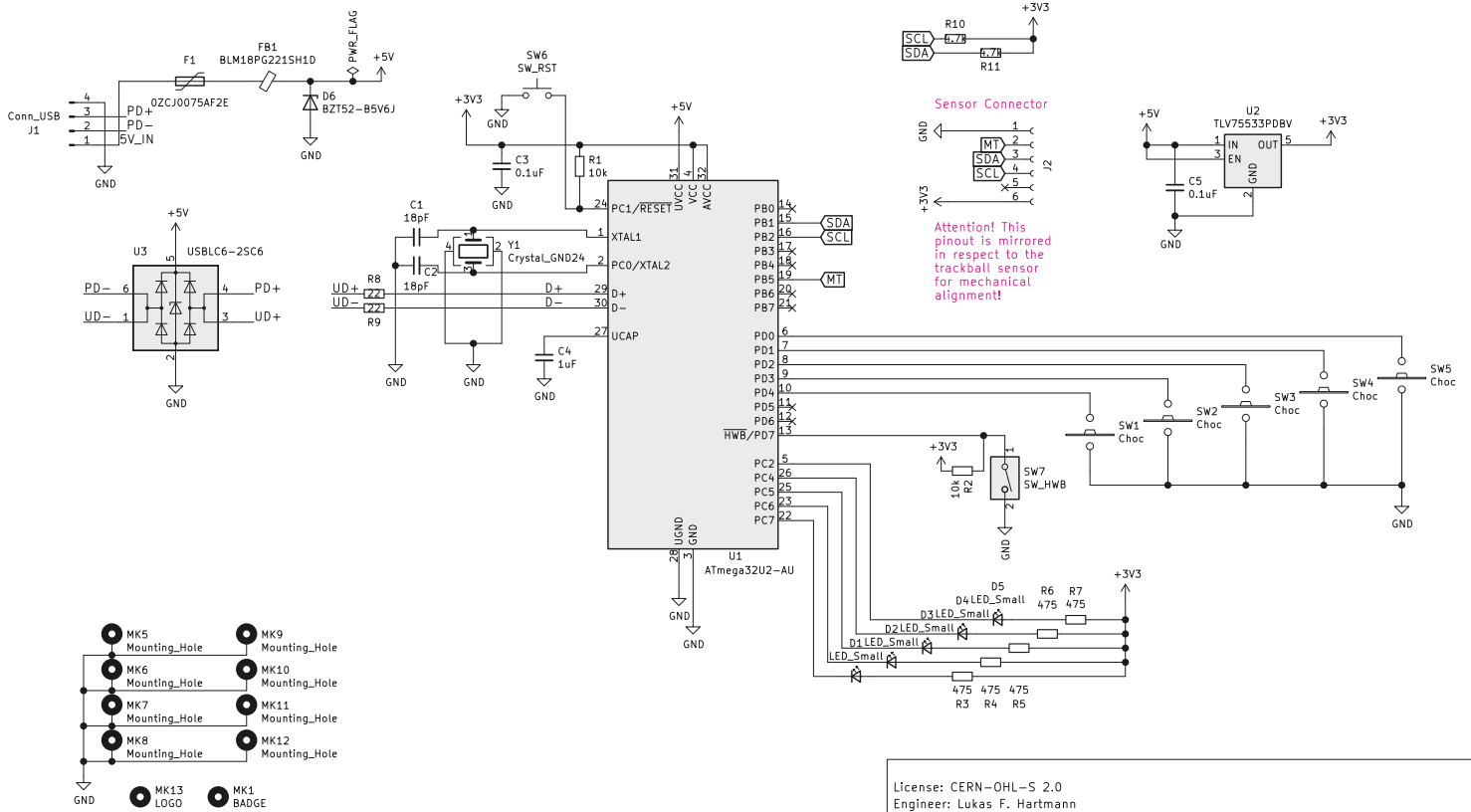
The product complies with the requirements of the European Directives and DIN standards:
 EMC Directive 2014/30/EU, Low Voltage Directive 2014/35/EU
 RoHS Directive 2011/65/EU, DIN EN 55022:2011-12
 DIN EN 55024:2016-05, DIN EN 61000-6-1:2007
 DIN EN 61000-6-3:2007/A1:2011/AC:2012
 DIN EN 61000-3-2:2014, DIN EN 61000-3-3:2013



Get updates and source code at: mntre.com/reform

Need help? Join community.mnt.re or write to support@mntre.com

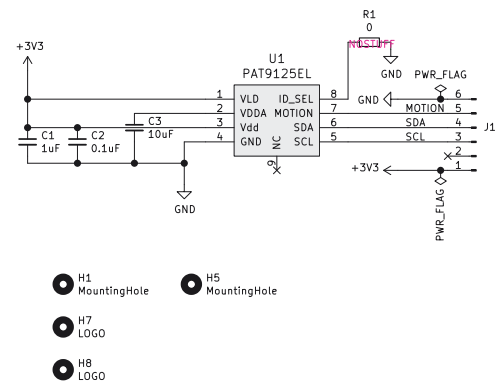
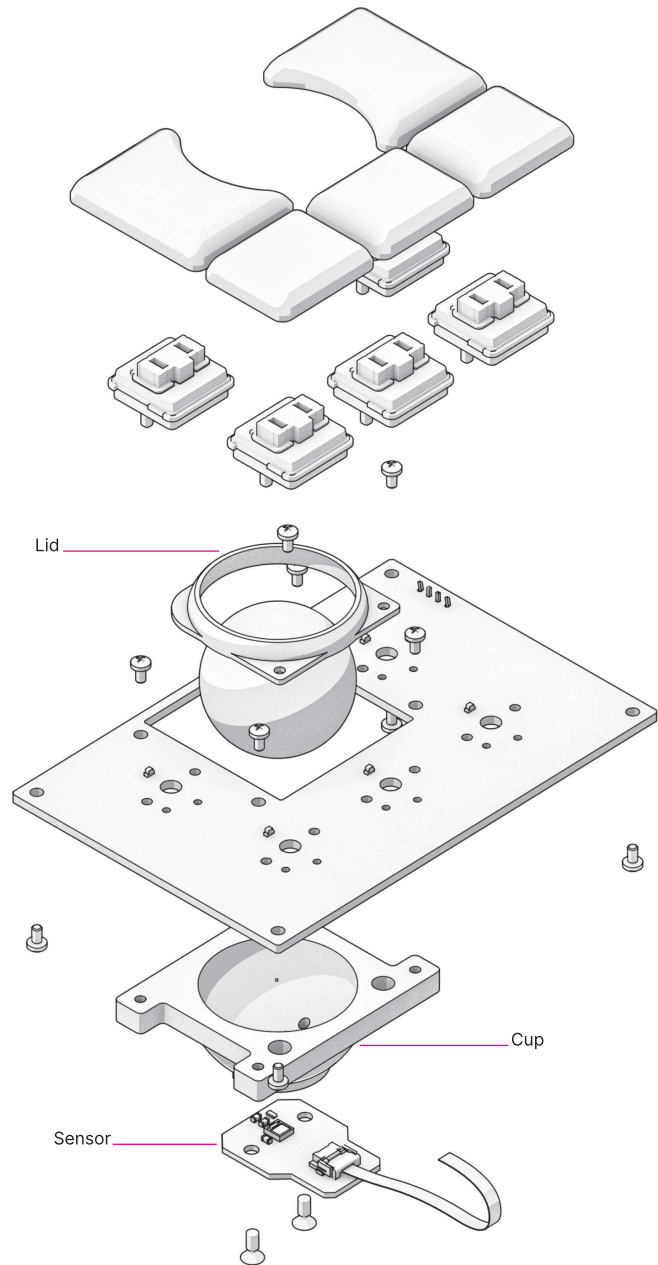
Join our IRC channel [#mnt-reform](https://irc.libera.chat) on: irc.libera.chat



License: CERN-OHL-S 2.0
 Engineer: Lukas F. Hartmann
<https://mntre.comm>
 Copyright 2017–2020 MNT Research GmbH
 Sheet: /
 File: reform2-trackball.sch

Title: MNT Reform 2 Trackball

Size: A4	Date: 2020-09-08	Rev: 2.0R-1
KiCad E.D.A. kicad 5.1.8+dfsg1-1+b1		Id: 1/1



License: CERN-OHL-S 2.0
 Engineer: Lukas F. Hartmann
<https://mntre.com>
 MNT Research GmbH
 Sheet: /
 File: reform2-trackball-sensor.sch

Title: MNT Reform Trackball Sensor

Size: A4	Date: 2020-09-08	Rev: 2.0R-1
KiCad E.D.A. kicad 5.1.8+dfsg1-1+b1		Id: 1/1