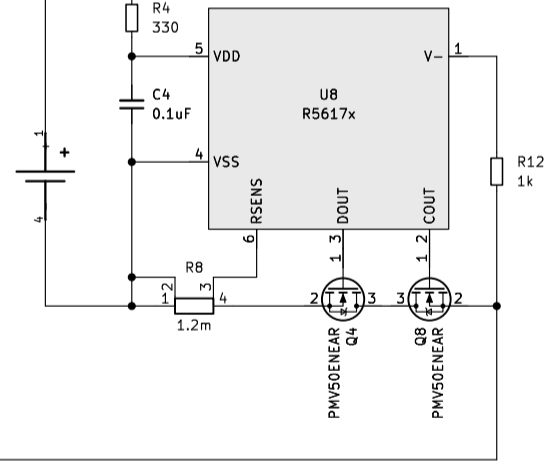
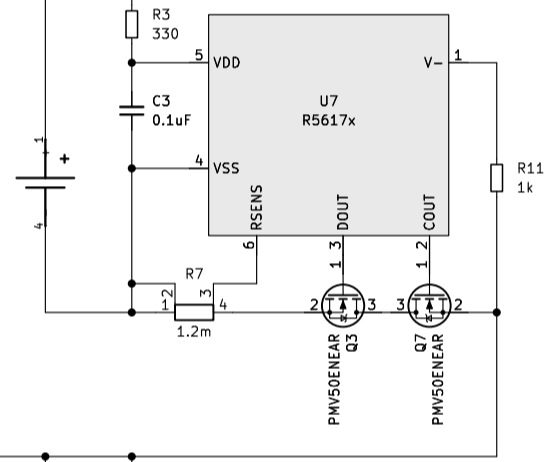
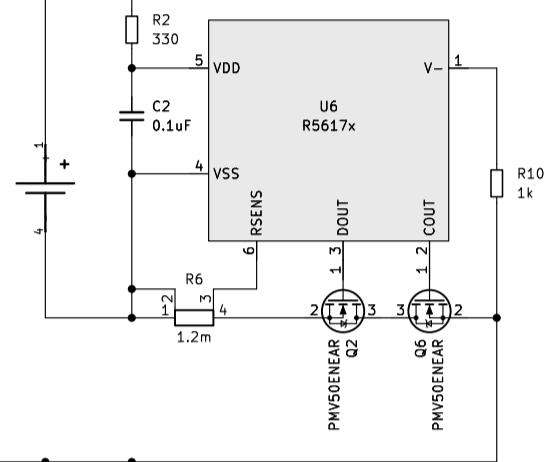
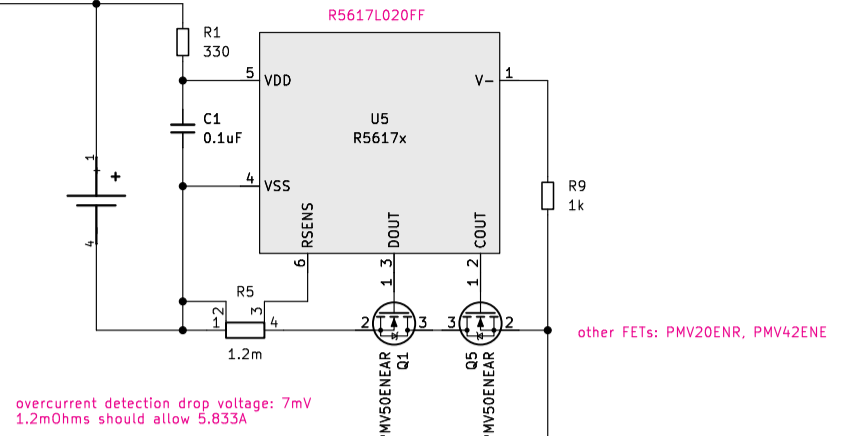


Connector pinout is flipped in respect to motherboard pinout!

V5 = highest stack voltage



- H5 MountingHole
- H6 MountingHole
- H7 MountingHole
- H8 MountingHole
- H1 Badge