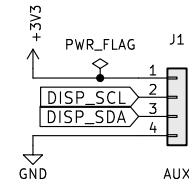
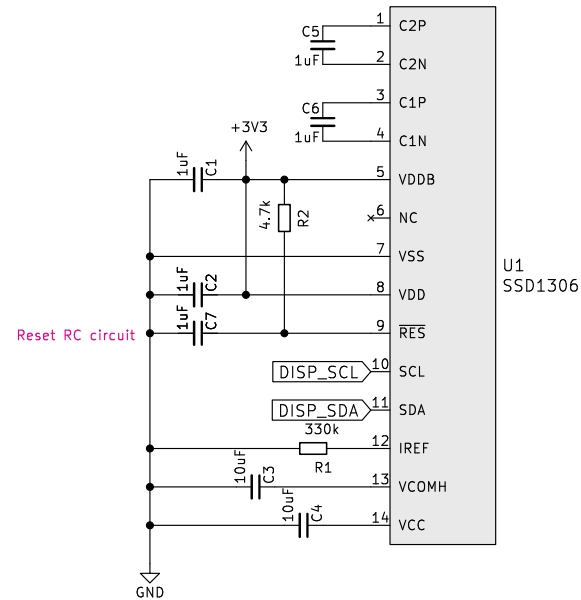


SSD1306 OLED
Circuit based on Adafruit 931



● GFX1
MNT

● GFX2
BADGE

● H1 MH1
● H2 MH2
GND

License: CERN-OHL-S 2.0
Engineer: Lukas F. Hartmann
<https://mntre.com>
MNT Research GmbH

Sheet: /
File: reform2-oled.kicad_sch

Title: MNT Reform 2 Keyboard OLED

Size: A4 Date: 2020-09-08
KiCad E.D.A. kicad 7.0.6+dfsg-1

Rev: 2.0R-1
Id: 1/1