

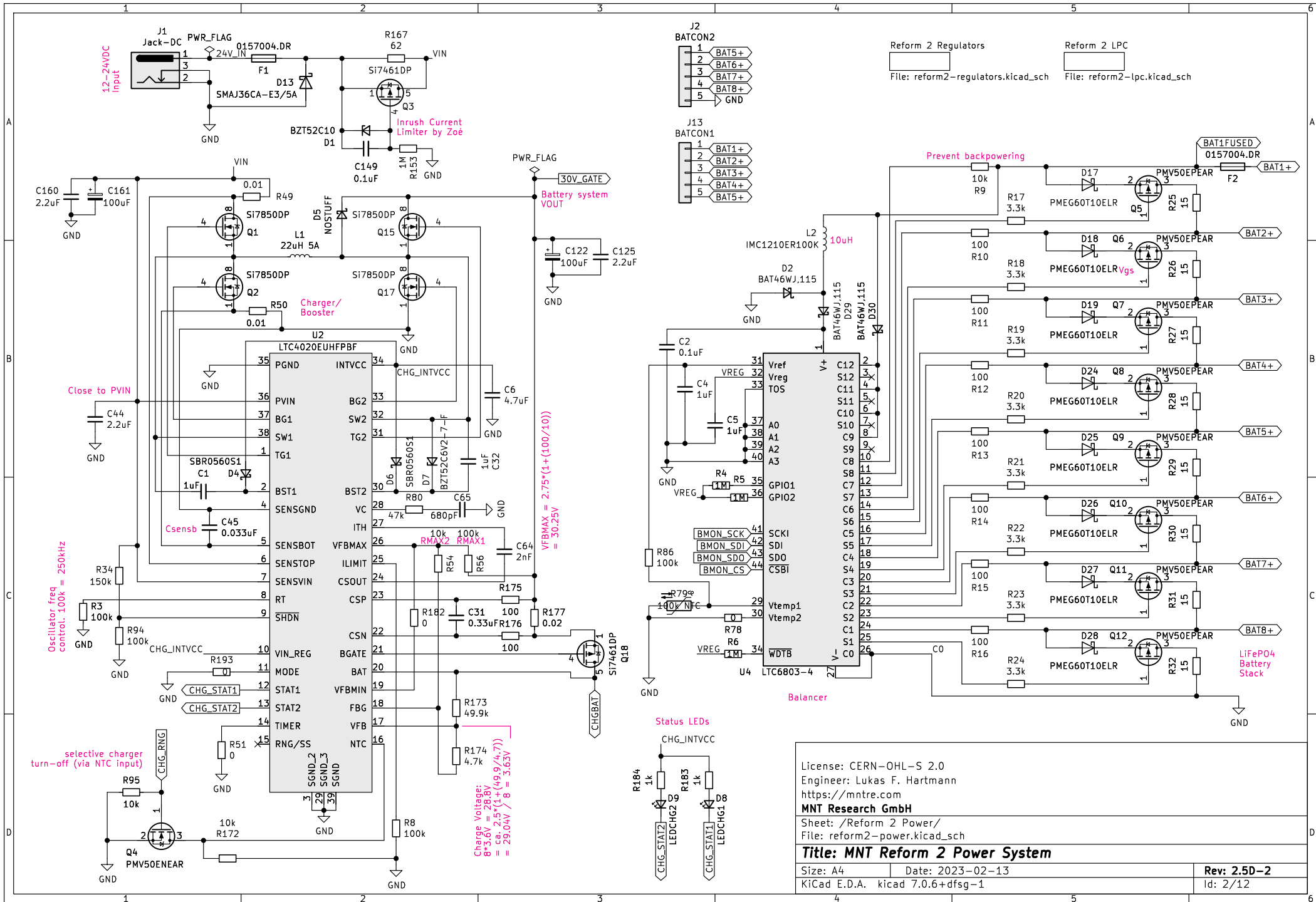
TE 1717254-1
or TE 1473005-1

License: CERN-OHL-S 2.0
 Engineer: Lukas F. Hartmann
<https://mntre.com>
MNT Research GmbH
 Sheet: /
 File: reform2-motherboard25.kicad_sch

Title: MNT Reform 2

Size: A4 Date: 2023-02-13
 KiCad E.D.A. kicad 7.0.6+dfsg-1

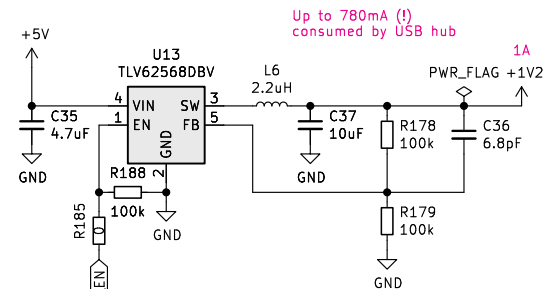
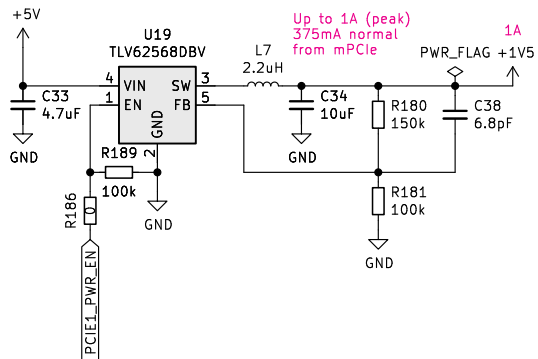
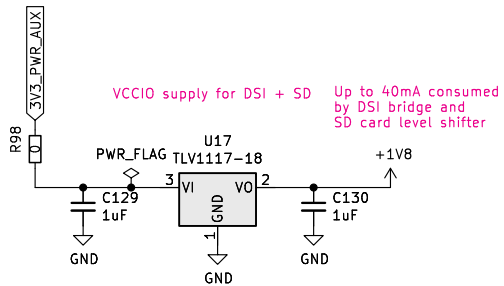
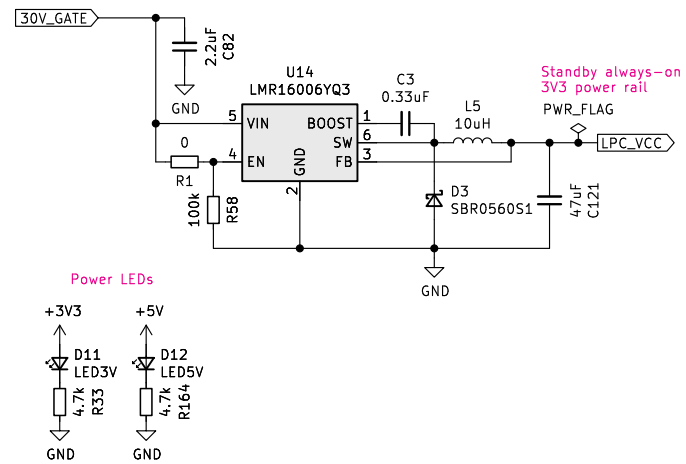
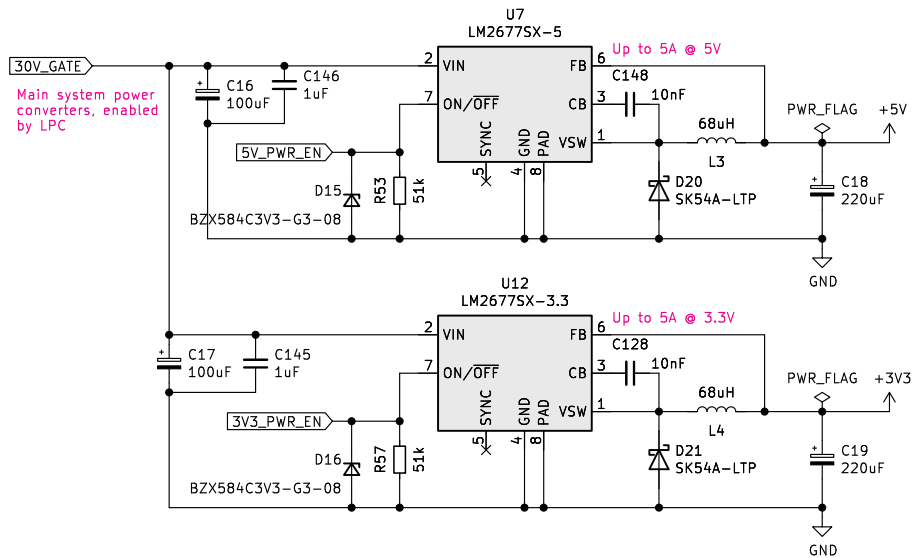
Rev: 2.5D-2
 Id: 1/12



License: CERN-OHL-S 2.0
 Engineer: Lukas F. Hartmann
<https://mntre.com>

MNT Research GmbH
 Sheet: /Reform 2 Power/
 File: reform2-power.kicad_sch

Title: MNT Reform 2 Power System	
Size: A4	Date: 2023-02-13
KiCad E.D.A. kicad 7.0.6+dfsg-1	Rev: 2.5D-2
	Id: 2/12



License: CERN-OHL-S 2.0

Engineer: Lukas F. Hartmann

<https://mntre.com>

MNT Research GmbH

Sheet: /Reform 2 Power/Reform 2 Regulators/

File: reform2-regulators.kicad_sch

Title: Reform 2 Regulators

Size: A4

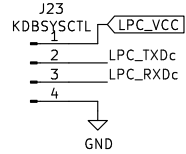
Date: 2023-02-13

KiCad E.D.A. kicad 7.0.6+dfsg-1

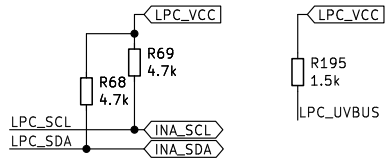
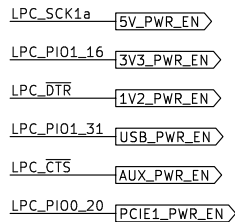
Rev: 2.5D-2

Id: 3/12

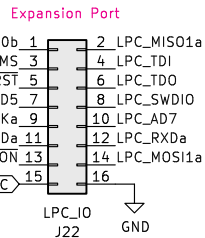
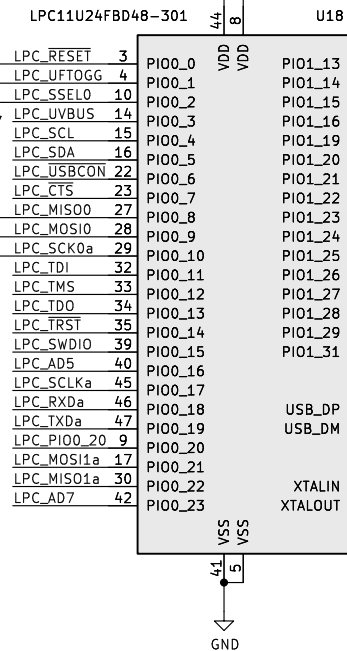
Keyboard System Control Port (SYSCTL)



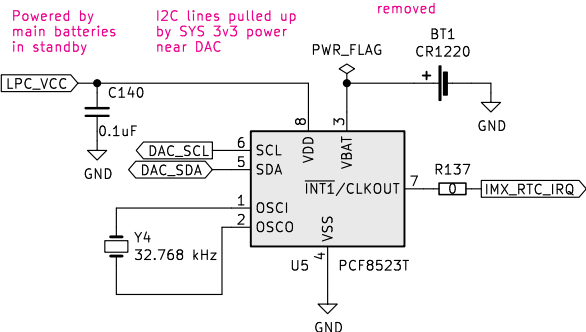
Power Switches



System Controller



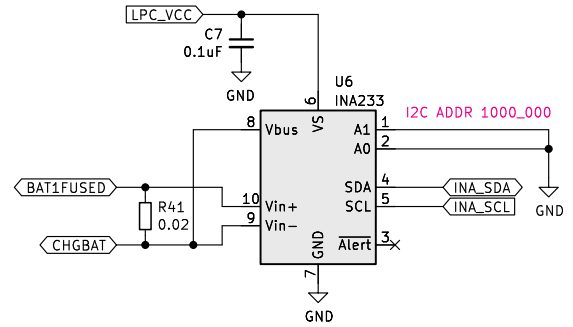
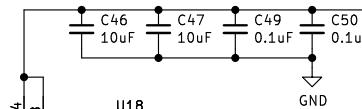
Realtime Clock



Powered by coin cell when batteries removed

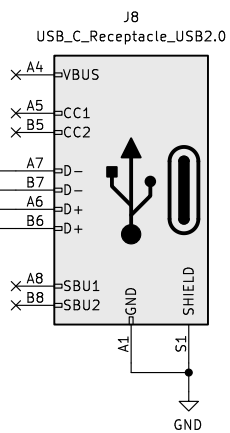
Powered by main batteries in standby

I2C lines pulled up by SYS 3V3 power near DAC



Voltage / Current Monitor

LPC Flashing Port



License: CERN-OHL-S 2.0

Engineer: Lukas F. Hartmann

<https://mntre.com>

MNT Research GmbH

Sheet: /Reform 2 Power/Reform 2 LPC/

File: reform2-lpc.kicad_sch

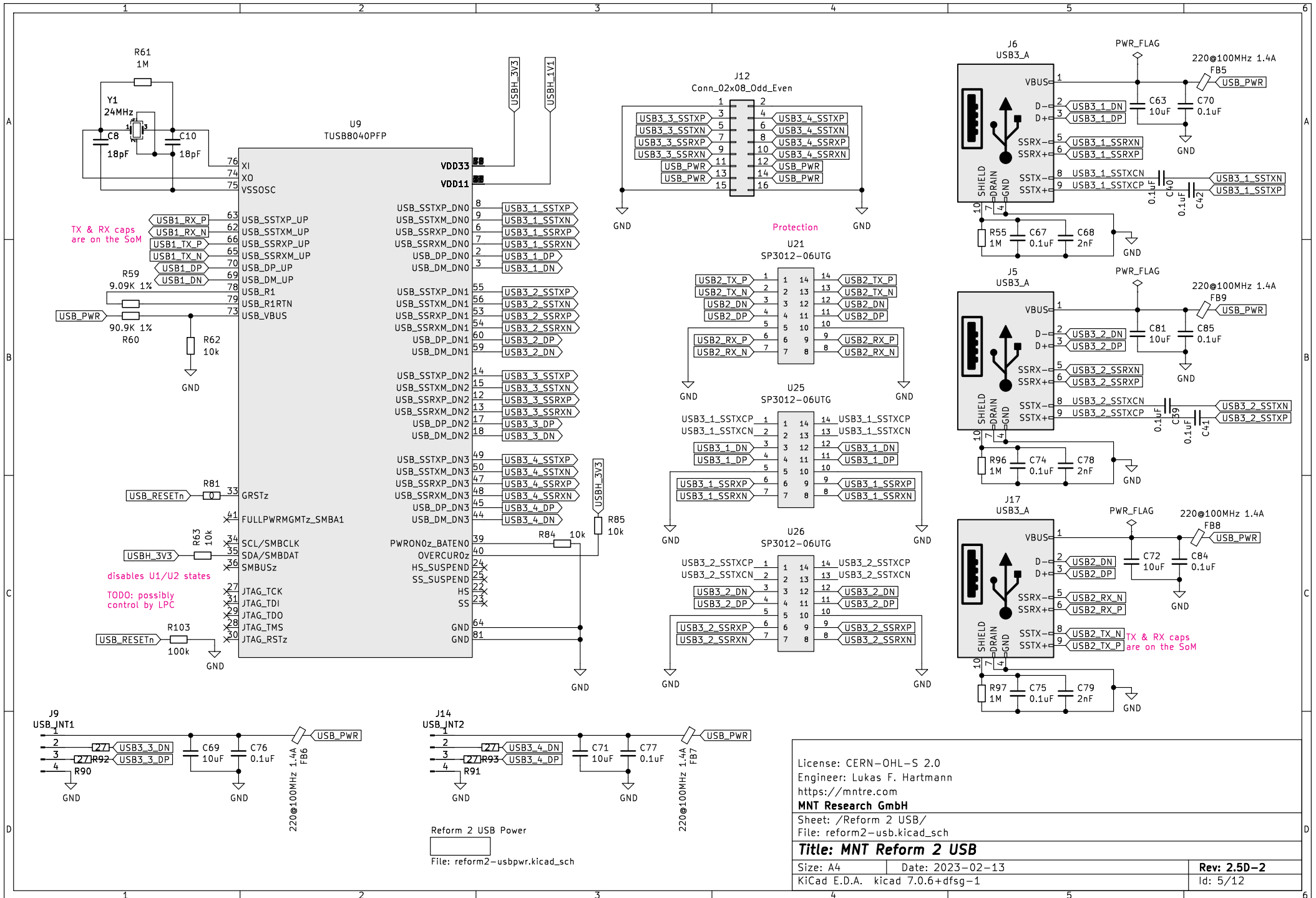
Title: Reform 2 LPC

Size: A4 Date: 2023-02-13

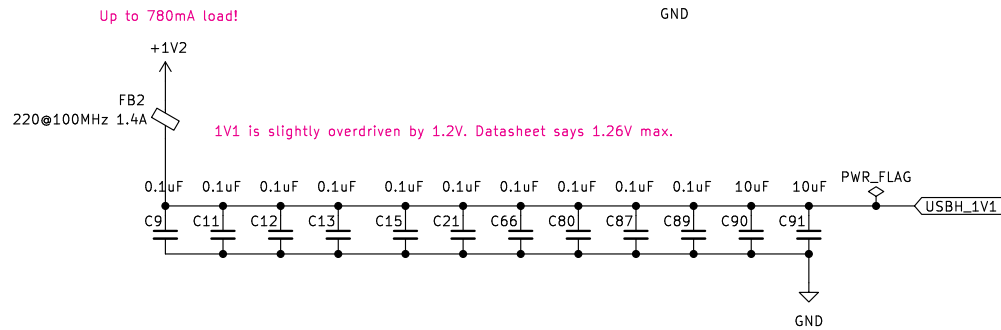
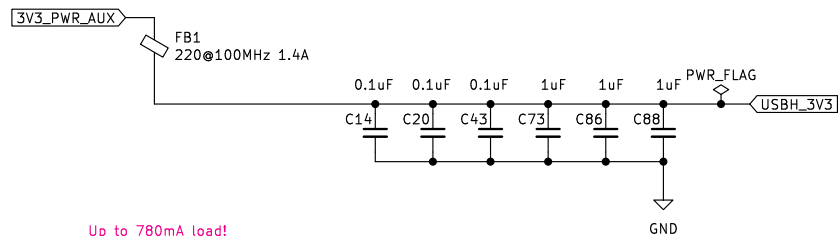
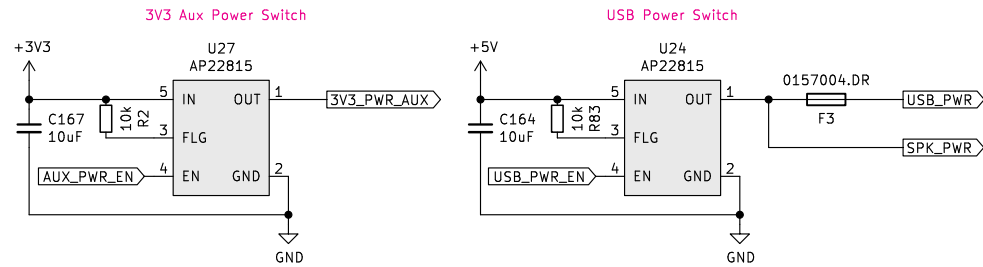
KiCad E.D.A. kicad 7.0.6+dfsg-1

Rev: 2.5D-2

Id: 4/12



License: CERN-OHL-S 2.0	
Engineer: Lukas F. Hartmann	
https://mntre.com	
MNT Research GmbH	
Sheet: /Reform 2 USB/	
File: reform2-usb.kicad_sch	
Title: MNT Reform 2 USB	
Size: A4	Date: 2023-02-13
KiCad E.D.A. kicad 7.0.6+dfsg-1	Rev: 2.5D-2
	Id: 5/12



License: CERN-OHL-S 2.0

Engineer: Lukas F. Hartmann

<https://mntre.com>

MNT Research GmbH

Sheet: /Reform 2 USB/Reform 2 USB Power/

File: reform2-usbpwr.kicad_sch

Title: Reform 2 USB Power

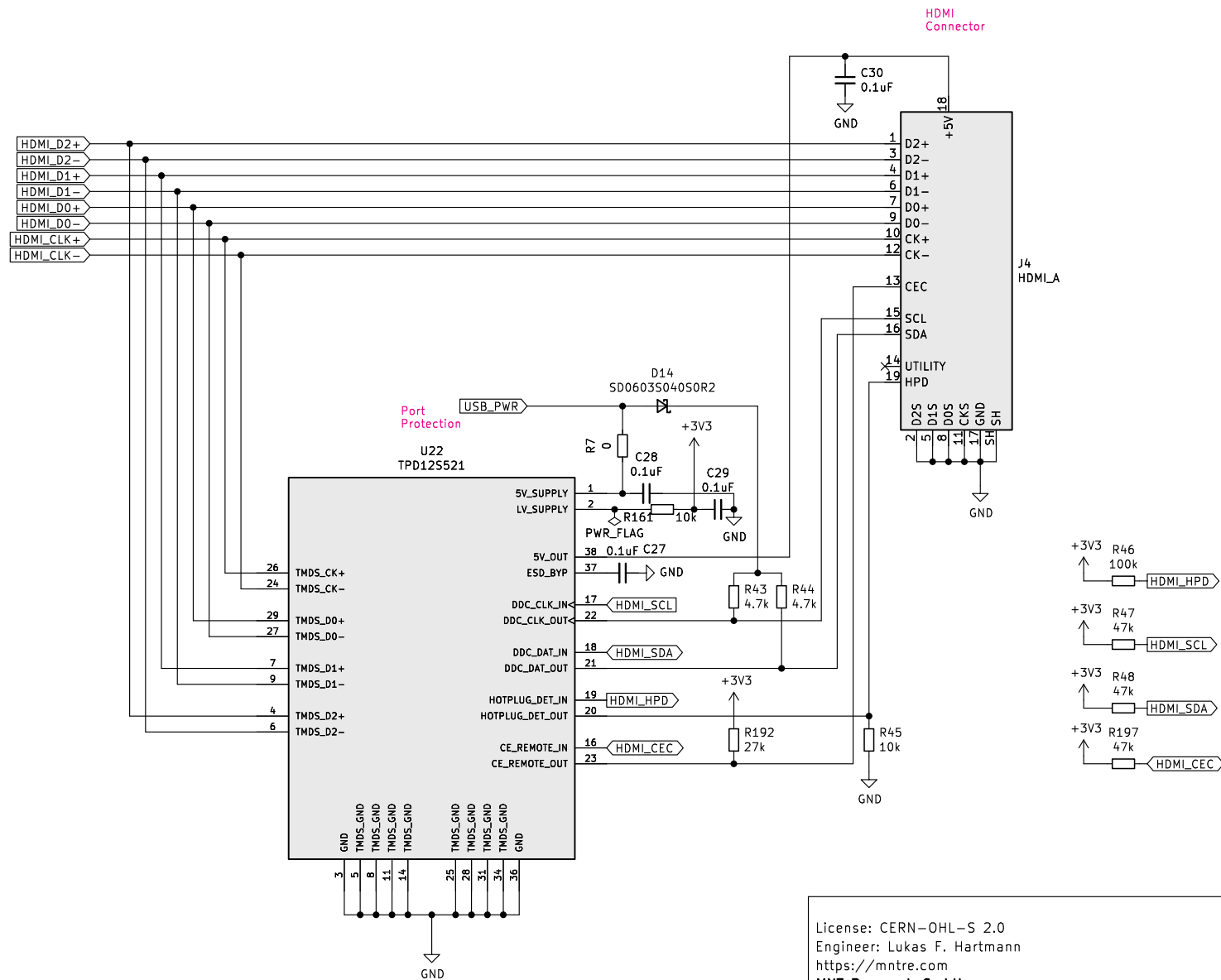
Size: A4

Date: 2023-02-13

Rev: 2.5D-2

KiCad E.D.A. kicad 7.0.6+dfsg-1

Id: 6/12



License: CERN-OHL-S 2.0
 Engineer: Lukas F. Hartmann
<https://mntre.com>

MNT Research GmbH

Sheet: /Reform 2 HDMI/
 File: reform2-hdmi.kicad_sch

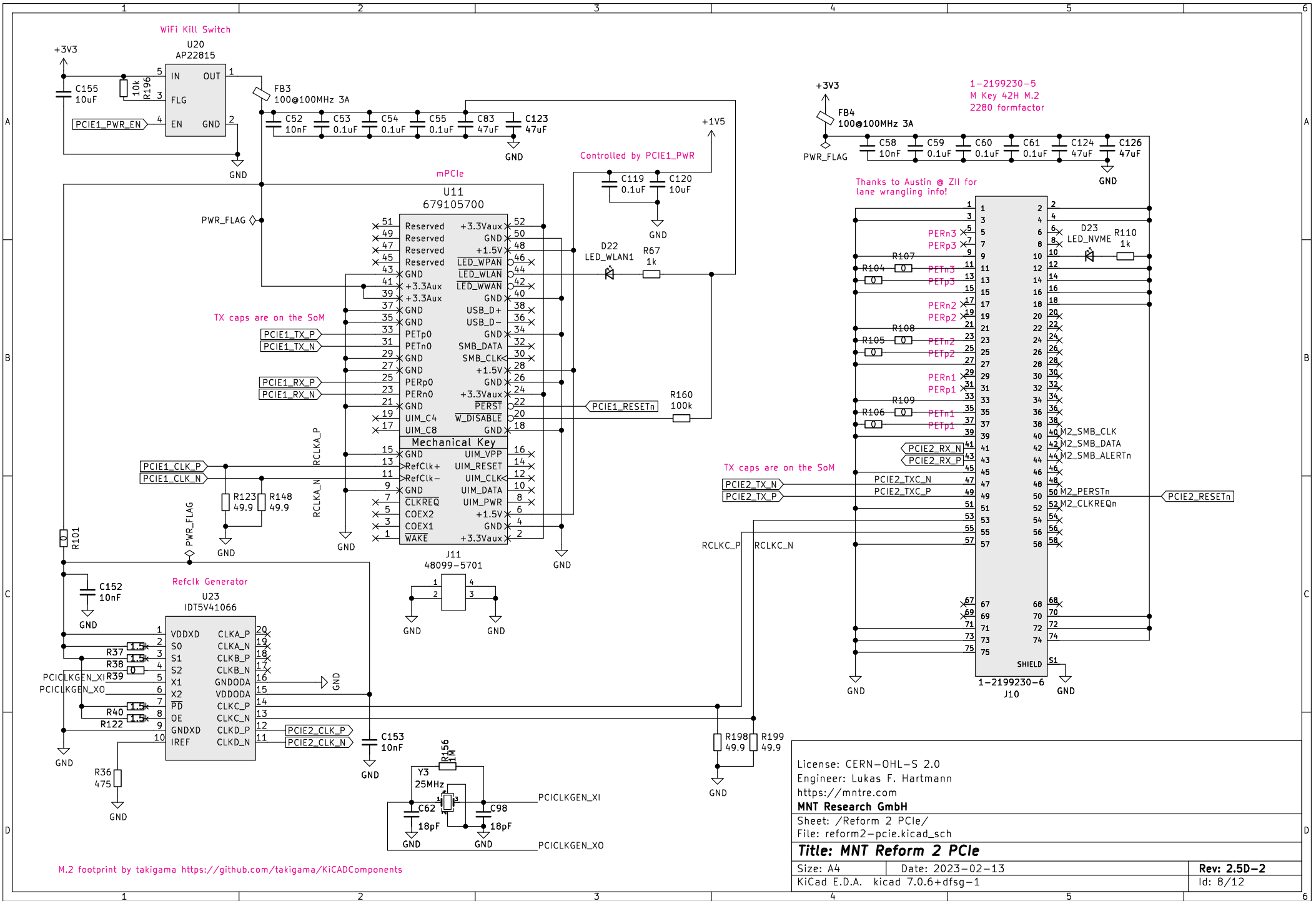
Title: MNT Reform 2 External Display

Size: A4 Date: 2023-02-13

KiCad E.D.A. kicad 7.0.6+dfsg-1

Rev: 2.5D-2

Id: 7/12

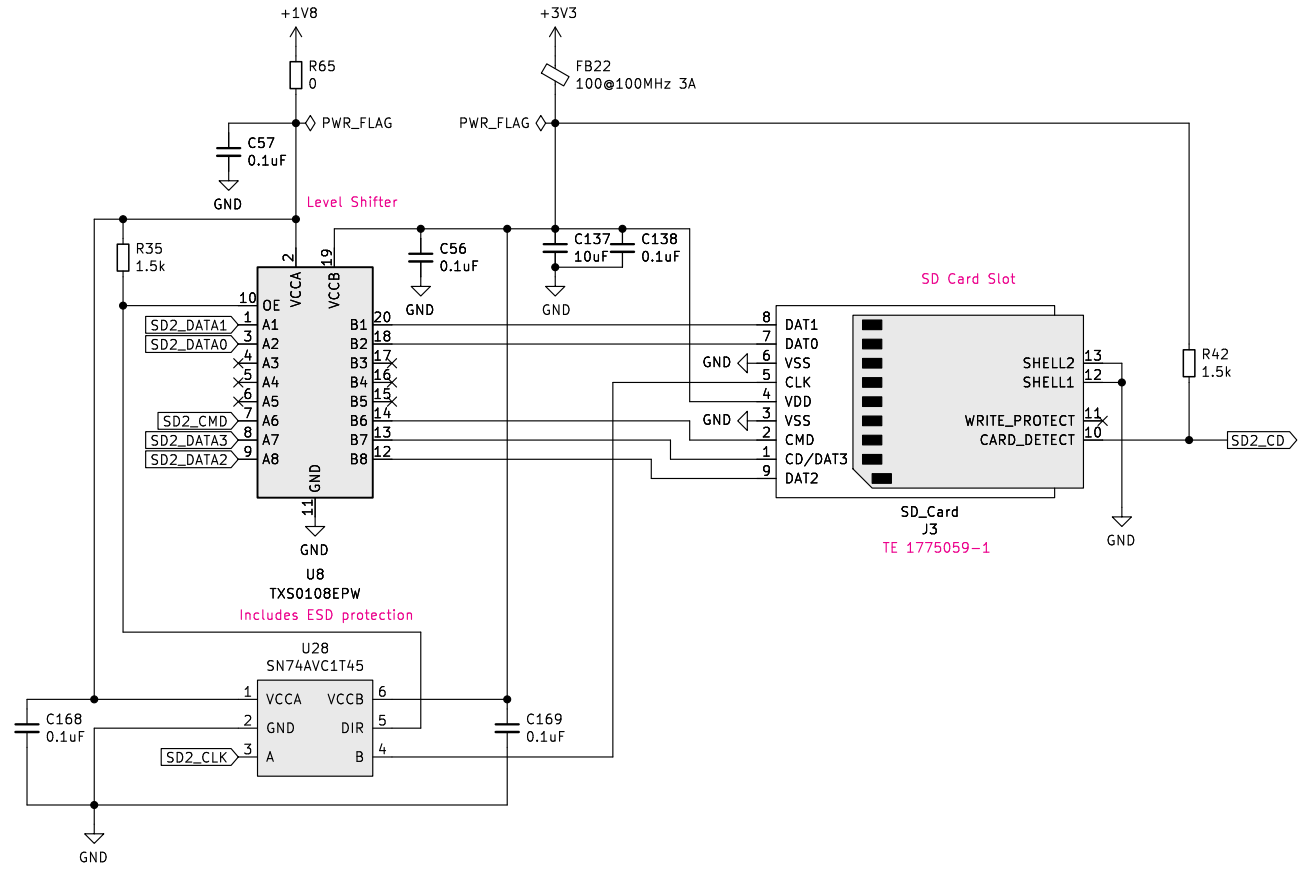


M.2 footprint by takigama <https://github.com/takigama/KiCADComponents>

License: CERN-OHL-S 2.0
 Engineer: Lukas F. Hartmann
<https://mntre.com>

MNT Research GmbH
 Sheet: /Reform 2 PCIe/
 File: reform2-pcie.kicad_sch

Title: MNT Reform 2 PCIe	
Size: A4	Date: 2023-02-13
KiCad E.D.A. kicad 7.0.6+dfsg-1	Rev: 2.5D-2
	Id: 8/12



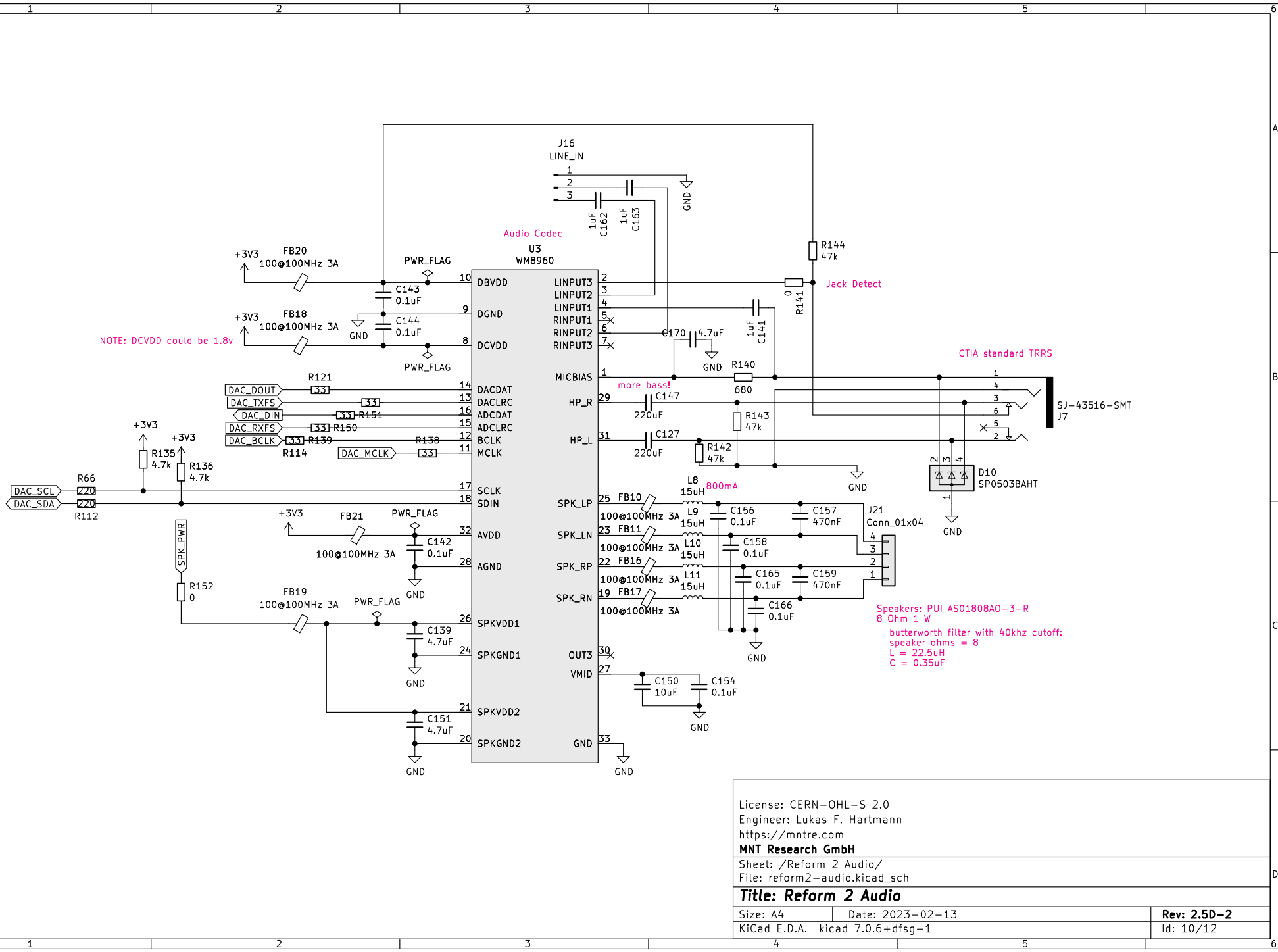
License: CERN-OHL-S 2.0
 Engineer: Lukas F. Hartmann
<https://mntre.com>

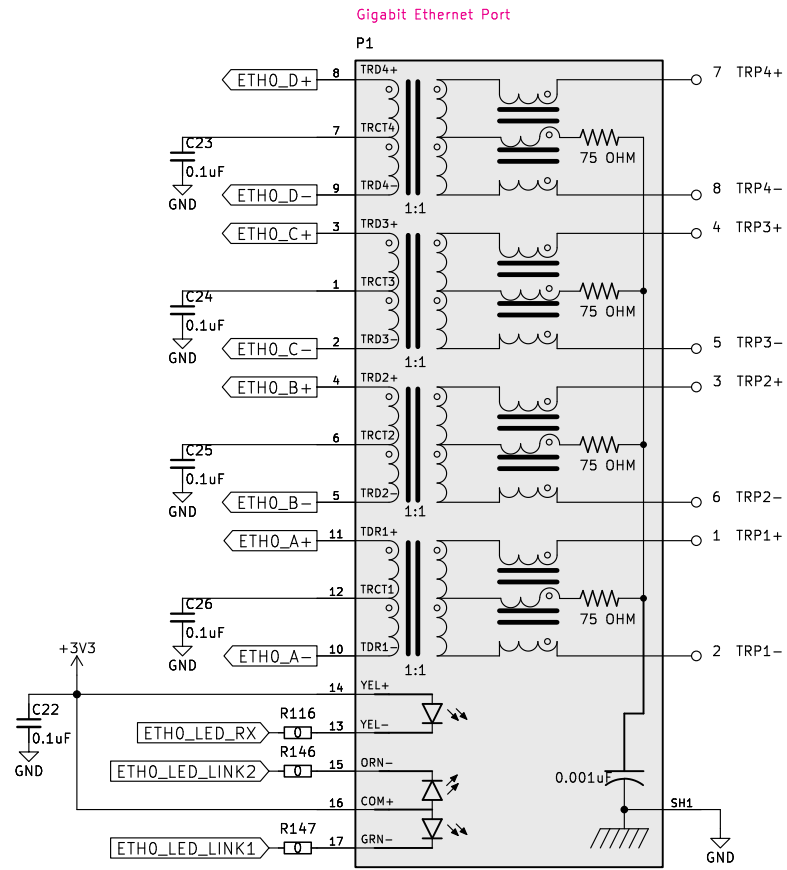
MNT Research GmbH
 Sheet: /Reform 2 SD Card/
 File: reform2-sd.kicad_sch

Title: MNT Reform 2 SD Card

Size: A4 Date: 2023-02-13
 KiCad E.D.A. kicad 7.0.6+dfsg-1

Rev: 2.5D-2
 Id: 9/12





JOG-0003NL
 Equiv: TE 1-2301994-1

License: CERN-OHL-S 2.0
 Engineer: Lukas F. Hartmann
<https://mntre.com>

MNT Research GmbH

Sheet: /Reform 2 Ethernet/
 File: reform2-eth.kicad_sch

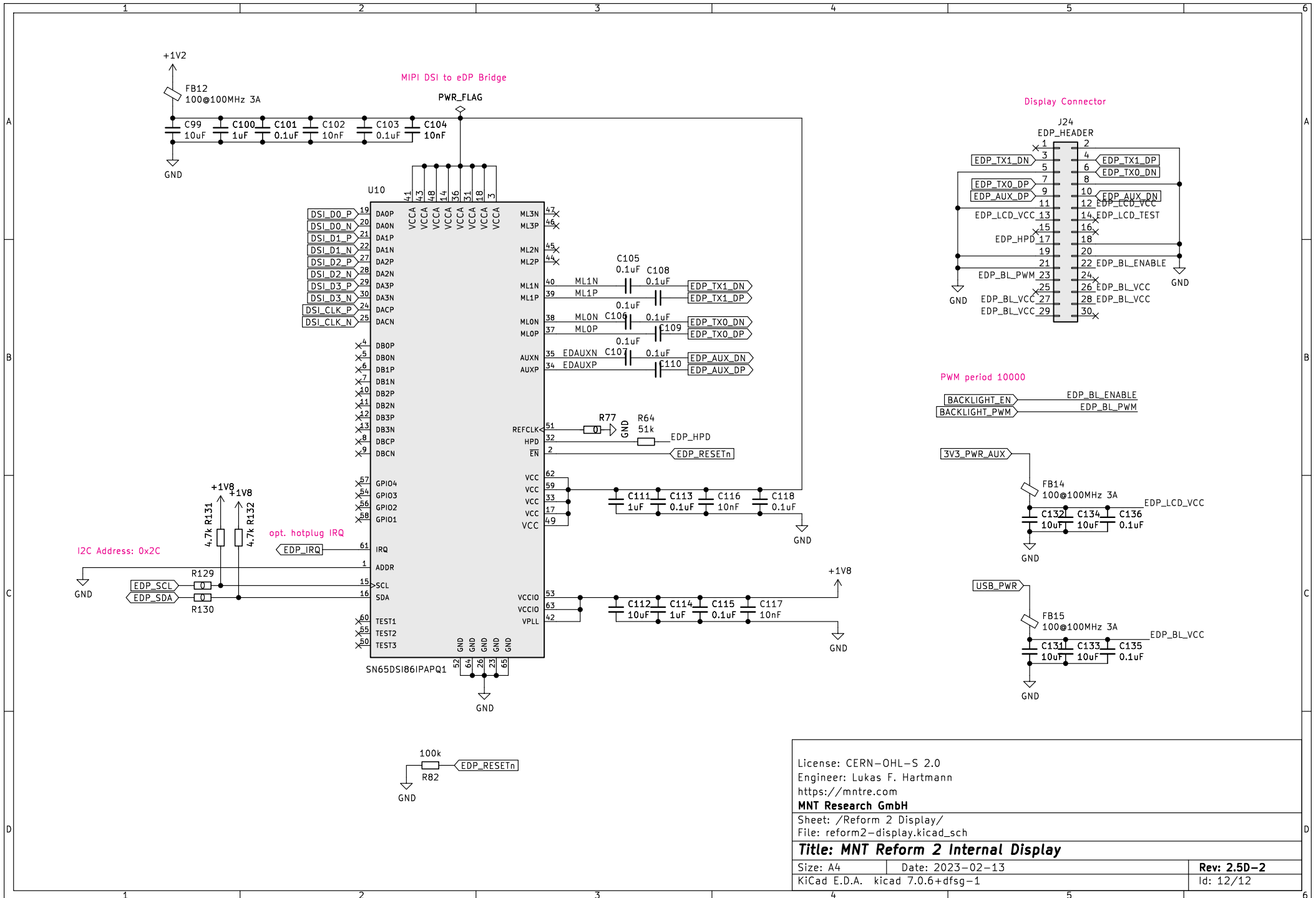
Title: MNT Reform 2 Ethernet

Size: A4 Date: 2023-02-13

KiCad E.D.A. kicad 7.0.6+dfsg-1

Rev: 2.5D-2

Id: 11/12



License: CERN-OHL-S 2.0
 Engineer: Lukas F. Hartmann
<https://mntre.com>
MNT Research GmbH
 Sheet: /Reform 2 Display/
 File: reform2-display.kicad_sch

Title: MNT Reform 2 Internal Display

Size: A4	Date: 2023-02-13	Rev: 2.5D-2
KiCad E.D.A. kicad 7.0.6+dfsg-1		Id: 12/12