

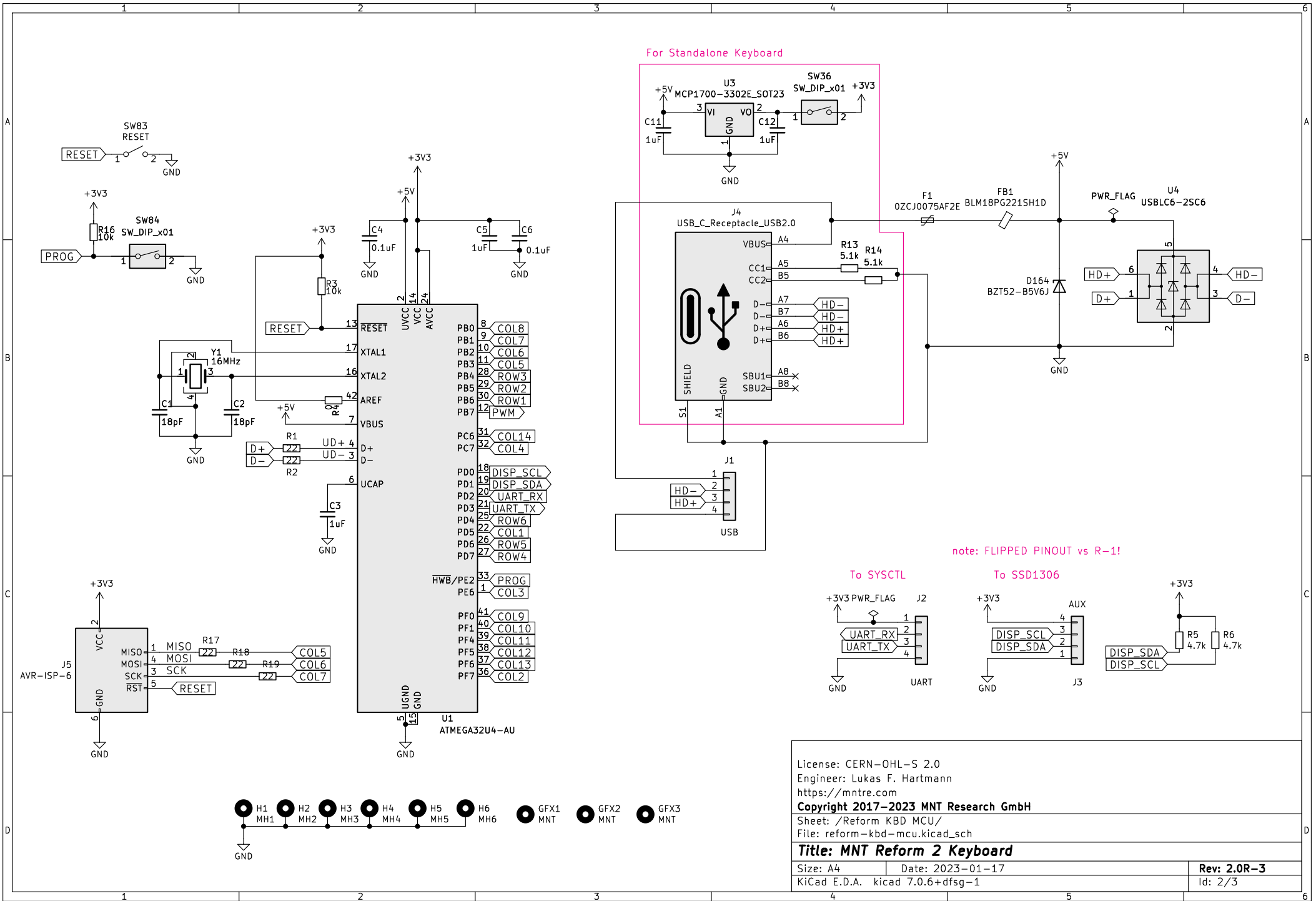
Gone: SW36/D36

Gone: SW81/D81

Reform KBD MCU  
 File: reform-kbd-mcu.kicad\_sch

Reform KBD Backlight  
 File: reform2-keyboard-backlight.kicad\_sch

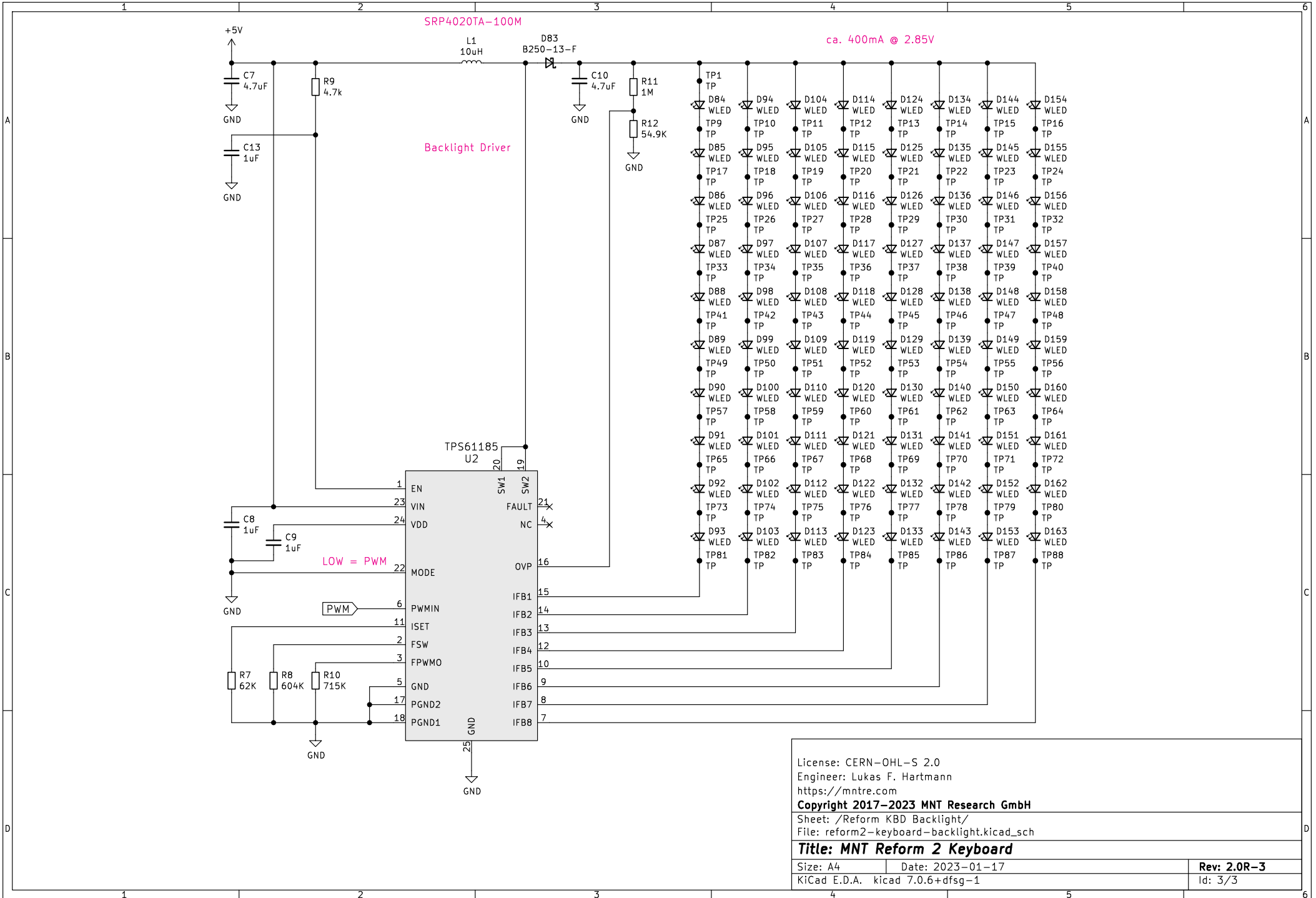
|   |                  |             |
|---|------------------|-------------|
| License: CERN-OHL-S 2.0                           |                  |             |
| Engineer: Lukas F. Hartmann                       |                  |             |
| <a href="https://mntre.com">https://mntre.com</a> |                  |             |
| Copyright 2017-2023 MNT Research GmbH             |                  |             |
| Sheet: /  |                  |             |
| File: reform2-keyboard3.kicad_sch                 |                  |             |
| <b>Title: MNT Reform 2 Keyboard</b>               |                  |             |
| Size: A3  | Date: 2023-01-17 | Rev: 2.0R-3 |
| KiCad E.D.A. kicad 7.0.6+dfsg-1                   |                  | Id: 1/3     |



License: CERN-OHL-S 2.0  
 Engineer: Lukas F. Hartmann  
<https://mntre.com>  
 Copyright 2017-2023 MNT Research GmbH  
 Sheet: /Reform KBD MCU/  
 File: reform-kbd-mcu.kicad\_sch

**Title: MNT Reform 2 Keyboard**

|                                 |                        |
|---------------------------------|------------------------|
| Size: A4                        | Date: 2023-01-17       |
| KiCad E.D.A. kicad 7.0.6+dfsg-1 | Rev: 2.0R-3<br>Id: 2/3 |



License: CERN-OHL-S 2.0  
 Engineer: Lukas F. Hartmann  
<https://mntre.com>  
 Copyright 2017-2023 MNT Research GmbH  
 Sheet: /Reform KBD Backlight/  
 File: reform2-keyboard-backlight.kicad\_sch

**Title: MNT Reform 2 Keyboard**

|                                 |                  |             |
|---------------------------------|------------------|-------------|
| Size: A4                        | Date: 2023-01-17 | Rev: 2.0R-3 |
| KiCad E.D.A. kicad 7.0.6+dfsg-1 |                  | Id: 3/3     |