

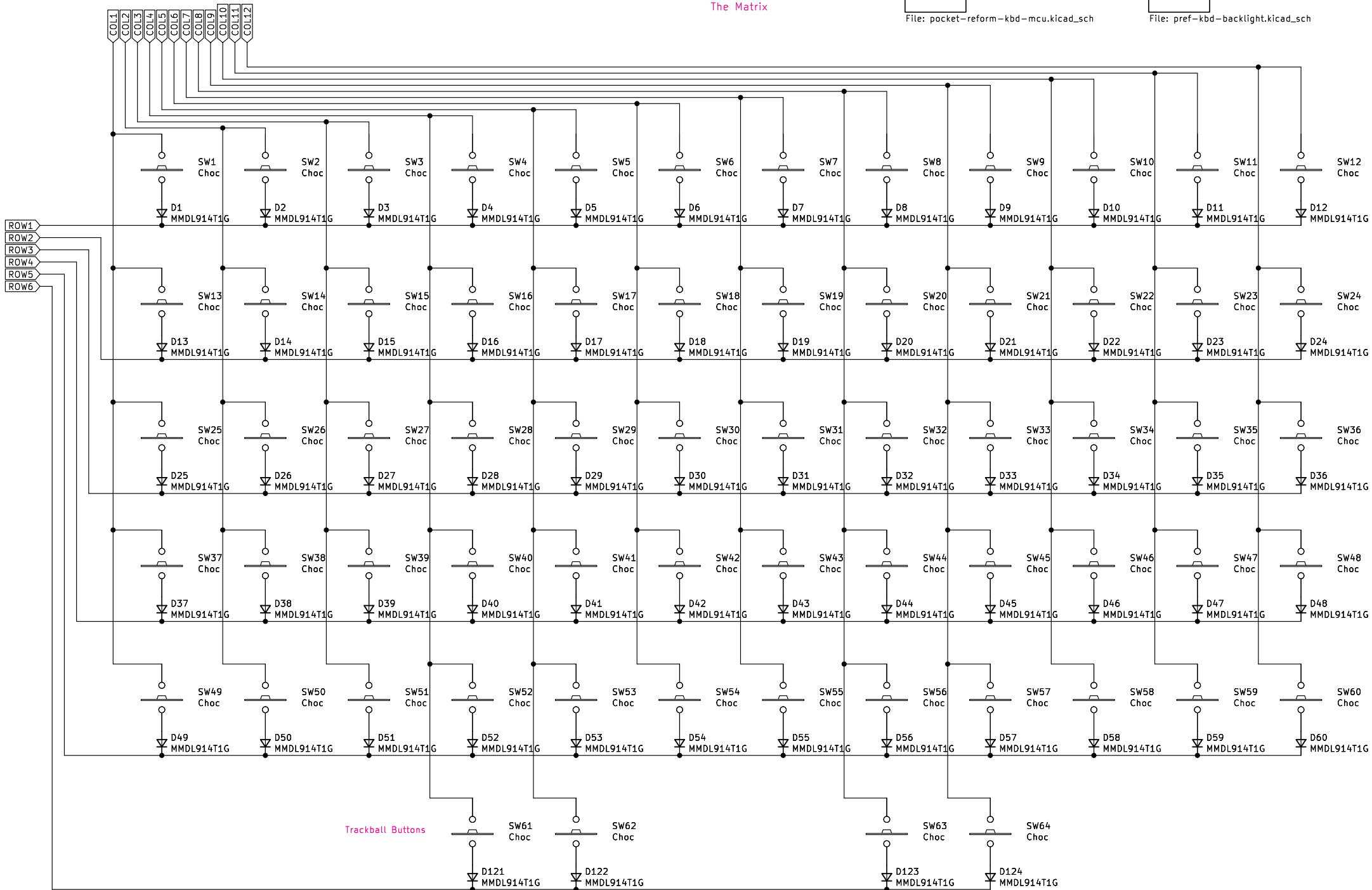
The Matrix

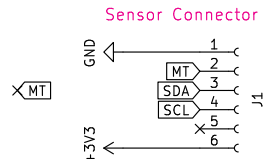
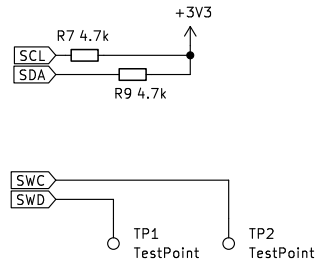
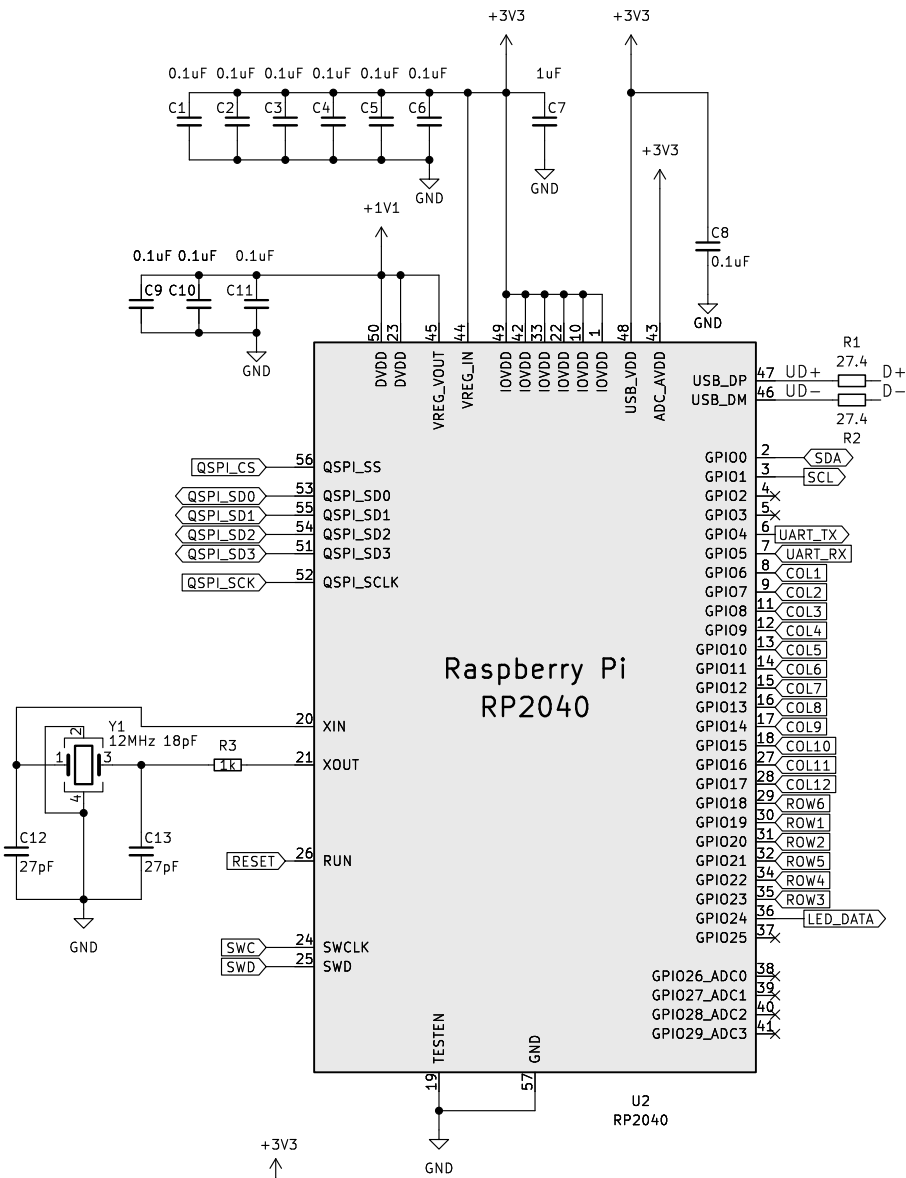
Pocket Reform KBD MCU

File: pocket-reform-kbd-mcu.kicad_sch

Pocket Reform KBD Backlight

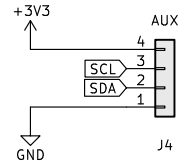
File: pref-kbd-backlight.kicad_sch



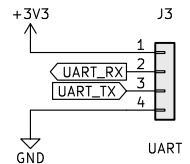


Attention! This pinout is mirrored in respect to the trackball sensor for mechanical alignment!

this was flipped in D-1 To SSD1306



To SYSCTL



DNP! (only for standalone use)

